

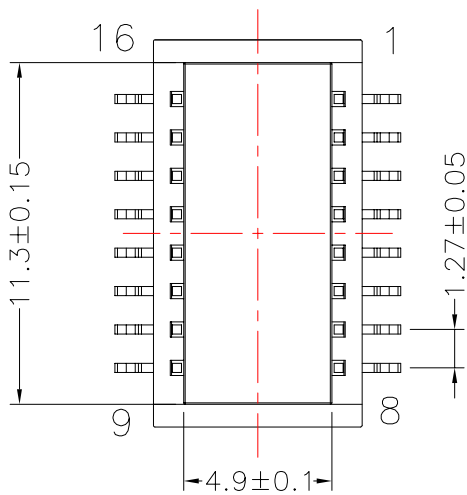
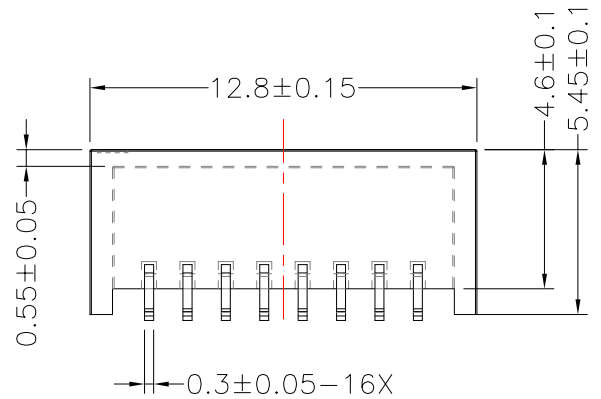
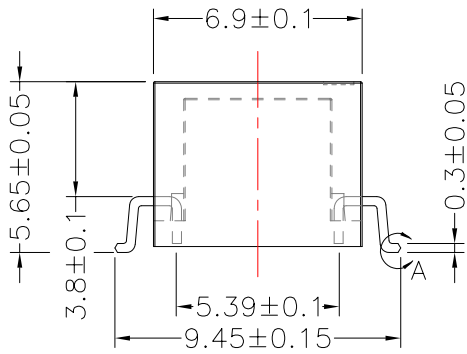
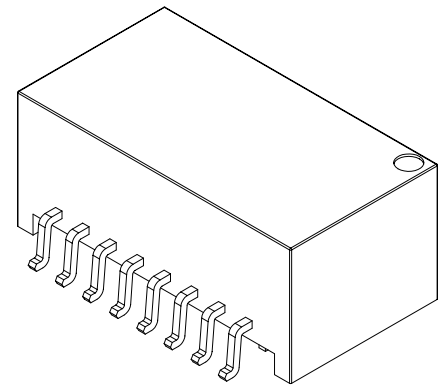
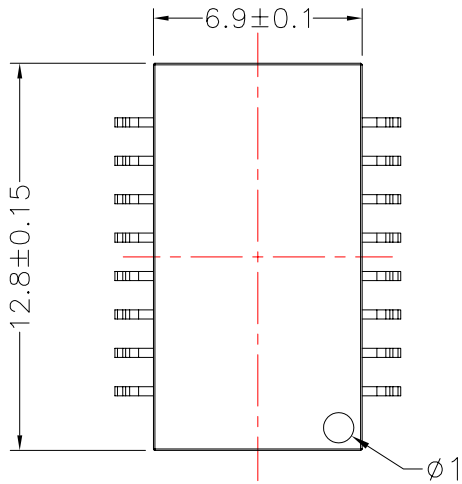


TRANSFORMER BOBBIN
INDUSTRIAL CO.,LTD.

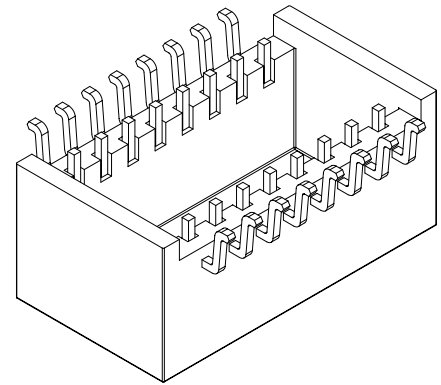
Tel : 86-769-88789999 Fax : 86-769-88789989
http:// tbi-tw.com e-mail : tb6688@ms46.hinet.net

REVISIONS

REV	SYM	DRAFTER	CHECKER	DATE
△1		X.H.GU	W.H.HSU	09/26/07
△2				
△3				



DETAIL:A
PATENTED



DWG NO.	C0085-16P-U-1.27-0A-1				
PART NO.	MATERIAL (BOBBIN)	MATERIAL (TERMINAL)	TERMINAL (PLATING)	PIN ALLOCATION	NOTE
TBI-128-02011.106	PM-9630	C,P WIRE	Sn	ALL PIN	

	TOLERANCE: .X±0.15 .XX±0.10 .XXX±0.05	UNIT : m / m	SCALE 4 : 1
	Finish: 1. Pb wire Immersion Sn on terminal : Thickness:Sn plating,100,5 μm (200 μ inches) min,Base nickel 0.625 μm (25 μ inches) min. 2. CP wire Immersion Sn on terminal : Thickness:Sn plating,100,5 μm (200 μ inches) min. 3. Coplanarity deviation: 0.10 mm (0.004 inches) max.	REV	1