

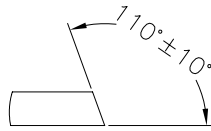
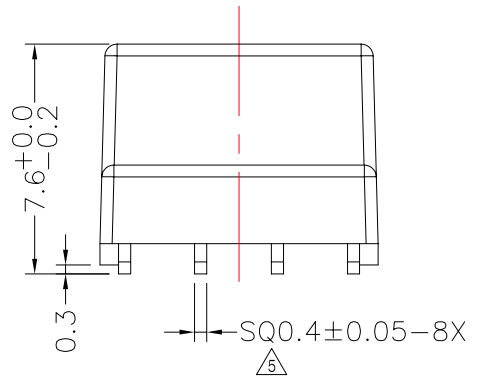
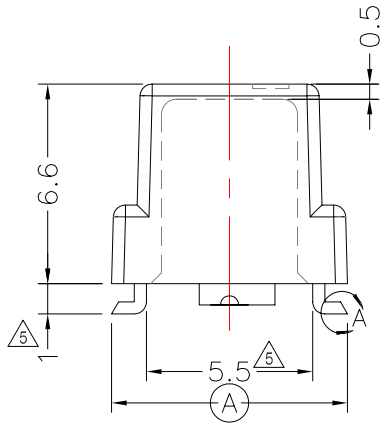
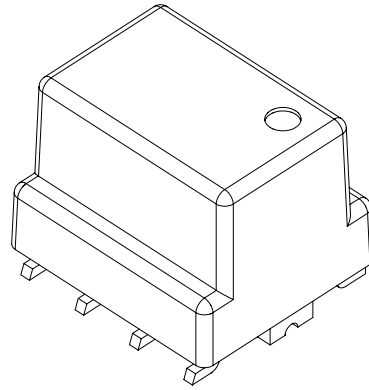
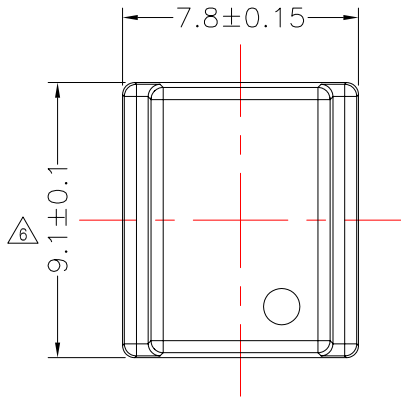


TRANSFORMER BOBBIN INDUSTRIAL CO.,LTD.

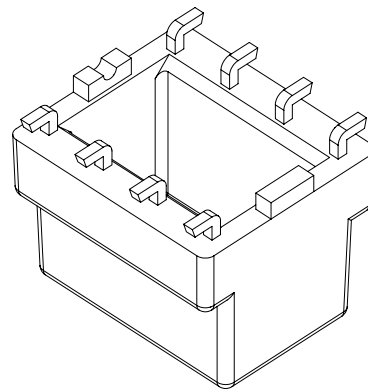
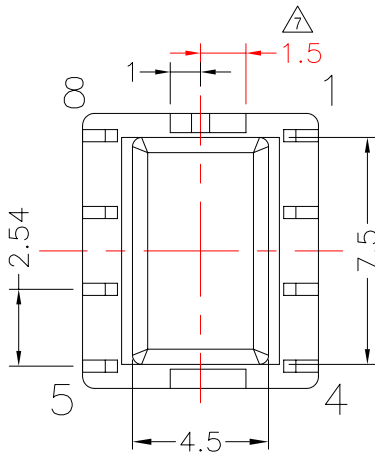
Tel : 86-769-88789999 Fax : 86-769-88789989
 http:// tbi-tw.com e-mail : tb6688@ms46.hinet.net

REVISIONS

REV	SYM	DRAFTER	CHECKER	DATE
5		Y.G.HSU	W.H.HSU	06/27/07
6		YAN.TANG	W.H.HSU	06/29/07
7		YAN.TANG	G.F.YANG	06/10/10



DETAIL:A
PATENTED



DWG NO. 6X3.5T-8P-L-2.54-A-1

PART NO.	MATERIAL (BOBBIN)	MATERIAL (TERMINAL)	TERMINAL (PLATING)	PIN ALLOCATION	NOTE
TBI-113-35011.103	PM-9630 JT	PB	Sn	ALL PIN(A)=7.8±0.15	
TBI-113-35011.113	PM-9630 JT	PB	Sn	CUT PIN# 3, 7(A)=7.8±0.15	H
6 TBI-113-35011.123	PM-9630 JT	PB	Sn	CUT PIN# 6, 7(A)=7.8±0.15	
7 TBI-113-35011.133	PM-9630 JT	PB	Sn	CUT PIN# 3, 6(A)=7.8±0.15	
7 TBI-113-35011.143	PM-9630 JT	PB	Sn	ALL PIN(A)=8.2±0.15	

TOLERANCE: .X±0.15 .XX±0.10 .XXX±0.05 UNIT : m / m SCALE 4 : 1

Finish: 1. PB wire Immersion Sn on terminal : Thickness:Sn plating,100,5 μm (200 μ inches) min,Base nickel 0.625 μm (25 μ inches) min.
 2. CP wire Immersion Sn on terminal : Thickness:Sn plating,100,5 μm (200 μ inches) min.
 3. Coplanarity deviation: 0.10 mm (0.004 inches) max.

REV 7