

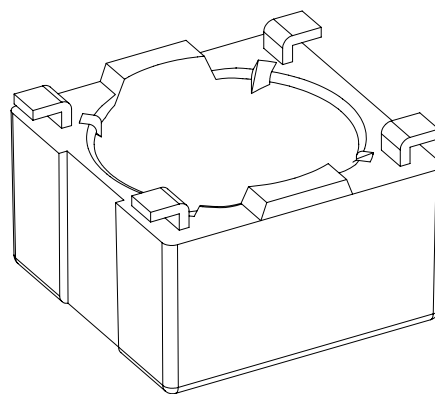
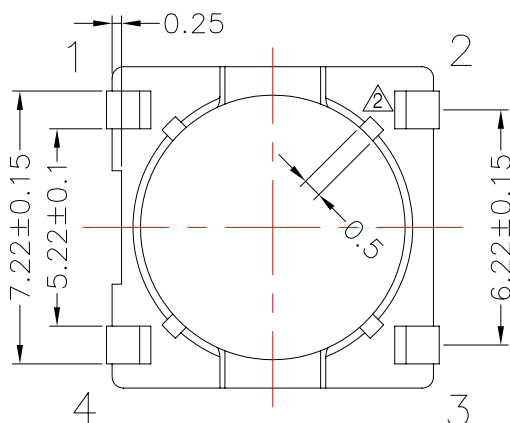
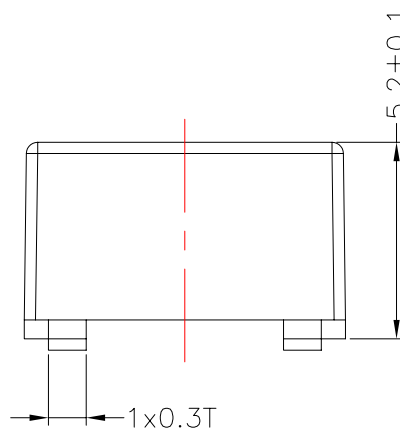
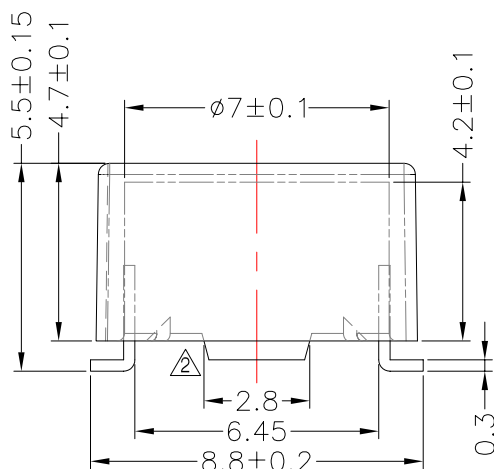
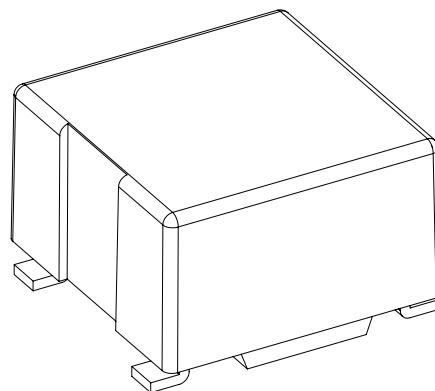
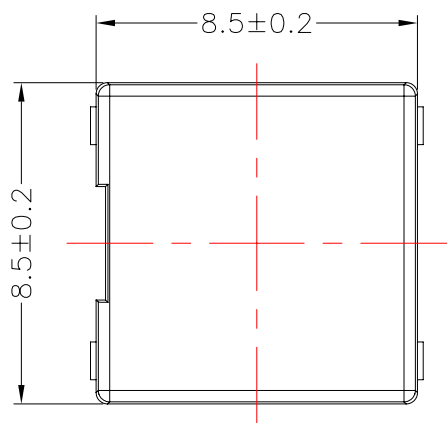


TRANSFORMER BOBBIN INDUSTRIAL CO.,LTD.

Tel : 86-769-88789999 Fax : 86-769-88789989  
http:// tbi-tw.com e-mail : tb6688@ms46.hinet.net

REVISIONS

REV	SYM	DRAFTER	CHECKER	DATE
4		T.S.LII	W.H.HSU	01/06/04
5		T.S.LII	W.H.HSU	07/24/06
6		T.S.LII	W.H.HSU	04/02/07



NOTE:  
PIN脚共面度0.08mm Max.

DWG NO.	633T-4P-L-6.22-A-2				
PART NO.	MATERIAL (BOBBIN)	MATERIAL (TERMINAL)	TERMINAL (PLATING)	PIN ALLOCATION	NOTE
TBI-113-34011.203	AM-113	PB	Sn	ALL PIN	53G633T4PL01

Finish: 1. PB wire Immersion Sn on terminal : Thickness: Sn plating, 100,5 μm (200 μ inches) min, Base nickel 0.625 μm (25 μ inches) min.  
2. CP wire Immersion Sn on terminal : Thickness: Sn plating, 100,5 μm (200 μ inches) min.  
3. Coplanarity deviation: 0.10 mm (0.004 inches) max.