

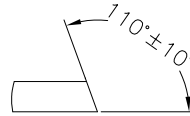
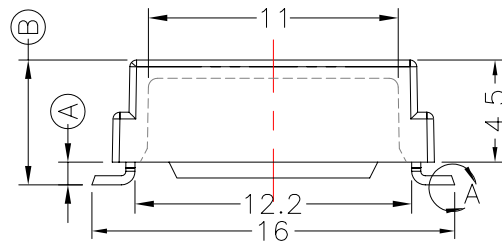
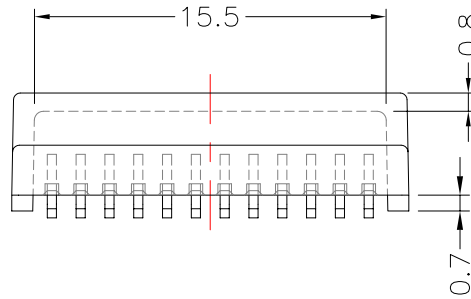
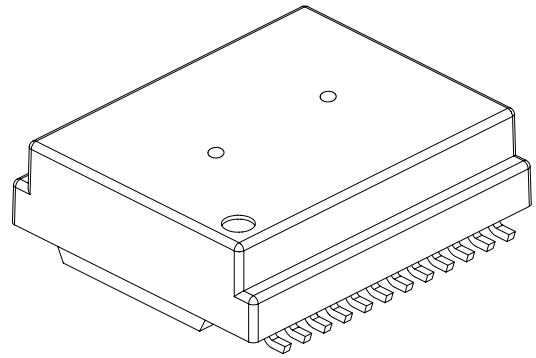
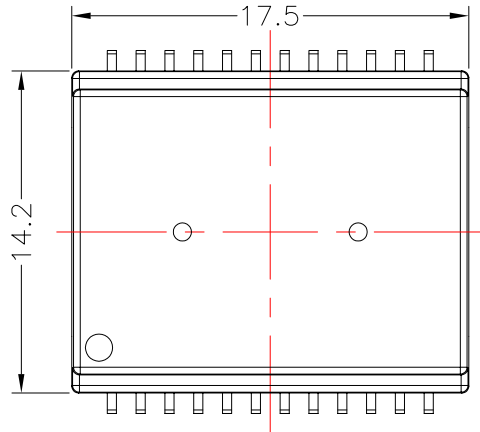


TRANSFORMER BOBBIN
INDUSTRIAL CO.,LTD.

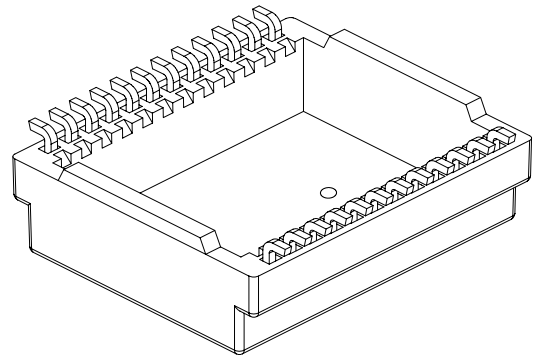
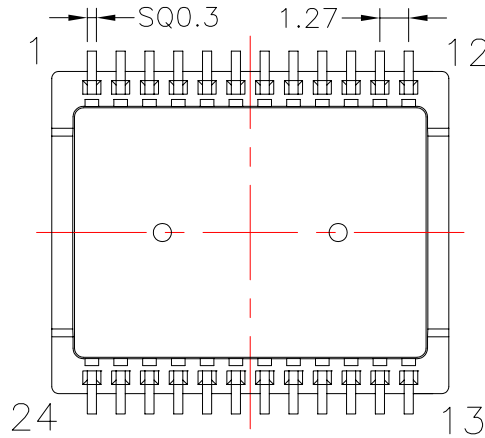
Tel : 86-769-88789999 Fax : 86-769-88789989
http:// tbi-tw.com e-mail : tb6688@ms46.hinet.net

REVISIONS

REV	SYM	DRAFTER	CHECKER	DATE
①		T.S.LII	W.H.HSU	07/18/06
②		T.S.LII	W.H.HSU	04/02/07
③				

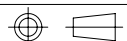


DETAIL A-10:1
PATENTED



DWG NO. C1217-24P-L-1.27-A-1

PART NO.	MATERIAL (BOBBIN)	MATERIAL (TERMINAL)	TERMINAL (PLATING)	PIN ALLOCATION	NOTE
TBI-113-29011.103	PM-9630JT	PB	Sn	ALL PIN (A)=0.9±0.15 (B)=5.4±0.15	S
TBI-113-29011.113	PM-9630JT	PB	Sn	ALL PIN (A)=1.5±0.15 (B)=6.0±0.15	H



TOLERANCE: .X±0.15 .XX±0.10 .XXX±0.05

UNIT : m / m

SCALE 3 : 1

Finish: 1. PB wire Immersion Sn on terminal : Thickness:Sn plating,100,5 μm (200 μ inches) min,Base nickel 0.625 μm (25 μ inches) min.
2. CP wire Immersion Sn on terminal : Thickness:Sn plating,100,5 μm (200 μ inches) min.
3. Coplanarity deviation: 0.10 mm (0.004 inches) max.

REV 2