

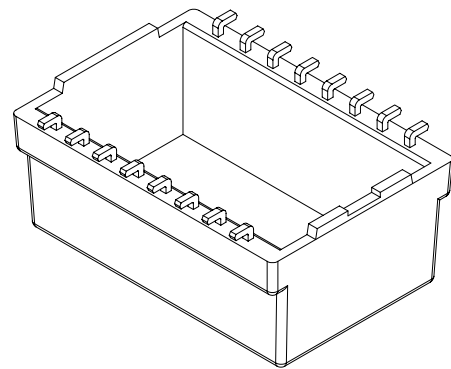
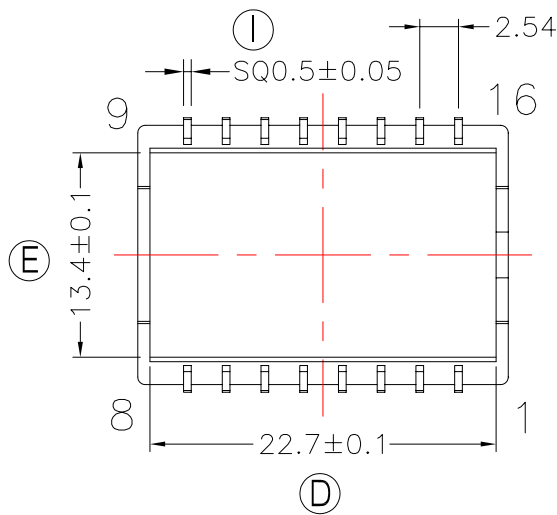
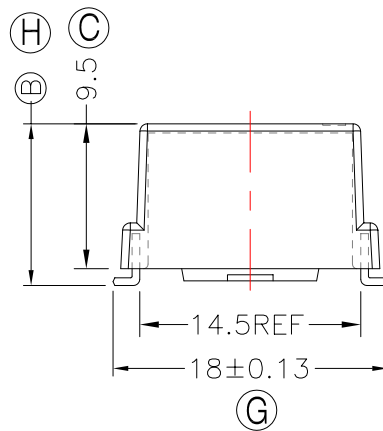
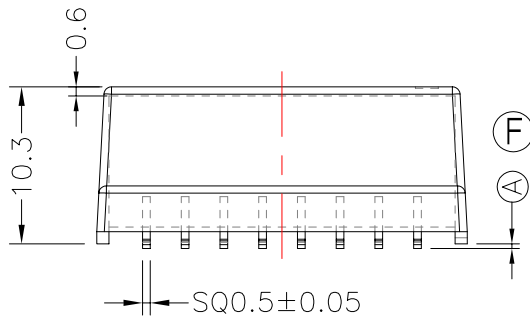
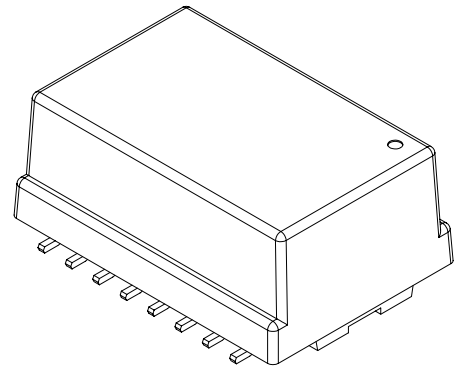
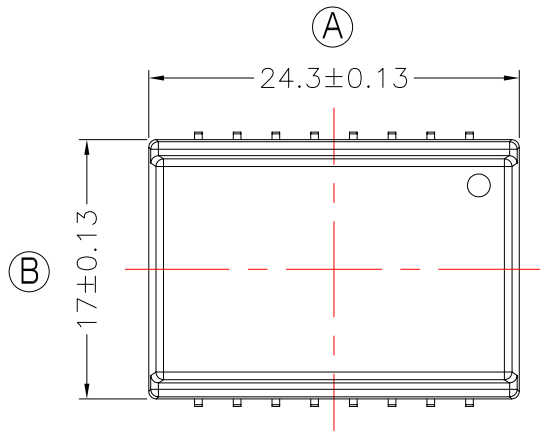


**TRANSFORMER BOBBIN  
INDUSTRIAL CO.,LTD.**

Tel : 86-769-88789999 Fax : 86-769-88789999  
http:// tbi-tw.com e-mail : tb6688@ms46.hinet.net

REVISIONS

REV	SYM	DRAFTER	CHECKER	DATE
1		T.S.LII	W.H.HSU	07/18/06
2		T.S.LII	W.H.HSU	07/24/06
3		T.S.LII	W.H.HSU	04/02/07



DWG NO.	C25X18-2-16P-L-2.54-A-1				
PART NO.	MATERIAL (BOBBIN)	MATERIAL (TERMINAL)	TERMINAL (PLATING)	PIN ALLOCATION	NOTE
TBI-113-22011.106	PM-9630JT	CP WIRE	Sn	ALL PIN (A)=0.3±0.15 (B)=10.6±0.15	
TBI-113-22011.116	PM-9630JT	CP WIRE	Sn	PIN CUT #3,6,11,14 (A)=0.3±0.15 (E)=10.6±0.15	
TBI-113-22011.126	PM-9630JT	CP WIRE	Sn	ALL PIN (A)=0.45±0.15 (B)=10.75+0.1/-0.2	
TBI-113-22011.133	PM-9630JT	PB	Sn	ALL PIN (A)=0.3±0.15 (B)=10.6±0.15	0214-000571F
	TOLERANCE: .X±0.15 .XX±0.10 .XXX±0.05			UNIT : m / m	SCALE 2 : 1

Finish: 1. PB wire Immersion Sn on terminal : Thickness:Sn plating,100,5 μm (200 μ inches) min,Base nickel 0.625 μm (25 μ inches) min.  
2. CP wire Immersion Sn on terminal : Thickness:Sn plating,100,5 μm (200 μ inches) min.  
3. Coplanarity deviation: 0.10 mm (0.004 inches) max.

REV 3