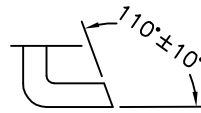
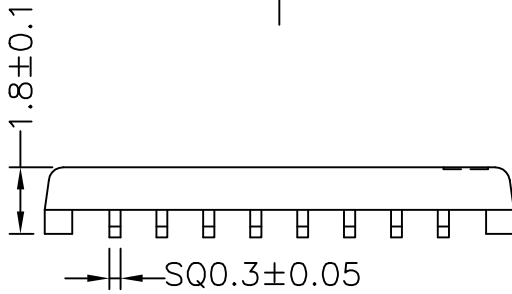
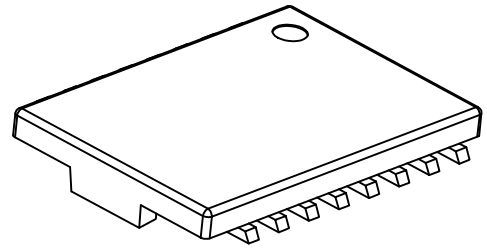
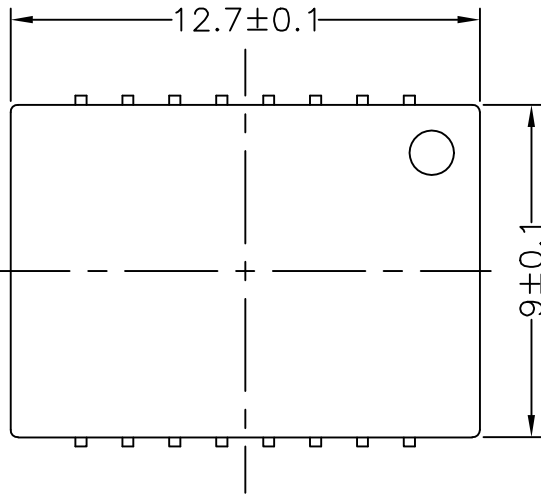


TBI TRANSFORMER BOBBIN INDUSTRIAL CO.,LTD.

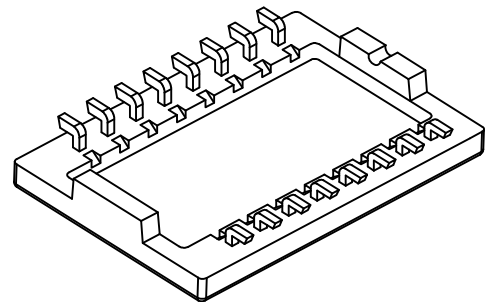
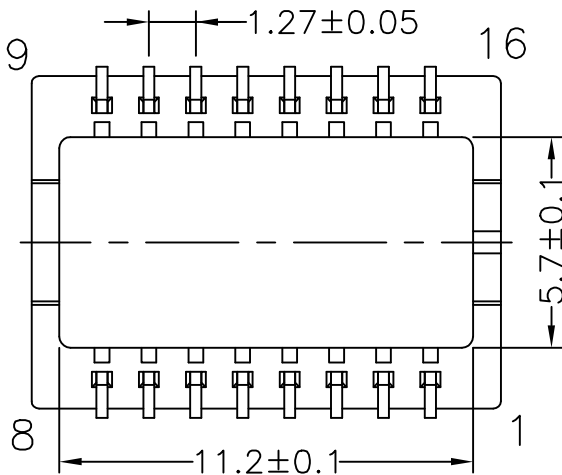
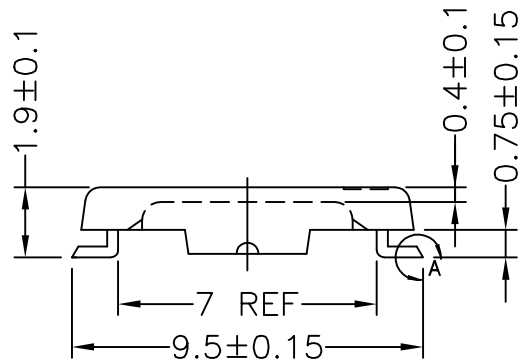
Phone 886-2-22929999 Fax 886-2-22925263
E-MAIL: tb6688@ms46.hinet.net

REVISIONS

REV	SYM	DRAFTER	CHECKER	DATE
△		T.S.LII	W.H.HSU	05/22/03
△				
△				



DETAIL : A
(PATENTED)



PART NO.	C-16P-L-1.27-A-2							
DWG NO.	TBI-113-17011.2XX							
TBI NO.	MATERIAL (BOBBIN)	MATERIAL (TERMINAL)	TERMINAL (PLATING)			.206	ALL PIN	
113-17011.206	AM-113	CP WIRE	Sn	PART NO.	REV	MODE NO	PIN LOCATION	
				Finish: 1-1. Immersion gold on terminal. Thickness gold 0.075 μm (3 μ inches) min, Base nickel 0.625 μm (25 μ inches) min. 1-2-1 Immersion Sn on terminal. Thickness Sn 4 μm (160 μ inches) min, Base copper (for pin L,J,TH type) 1-2-2. Terminal:Sn plating,100, 5 μm (200 μ inches) min Base nickel 0.625 μm (25 μ inches) min. (for pin GW type) 1-3. Terminal:Sn/Pb plating,90/10, 5 μm (200 μ inches) min Base nickel 0.625 μm (25 μ inches) min. (for pin GW type) 2. Coplanarity deviation: 0.004 inches max.			TOLERANCE	.X ± 0.15 .XX ± 0.10 .XXX ± 0.05
							UNIT	m/m
							SCALE	5 : 1
							REV	1