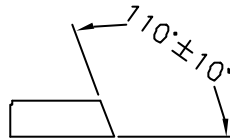
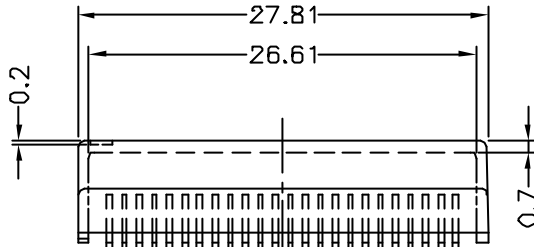
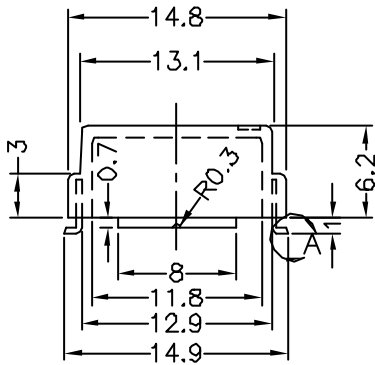
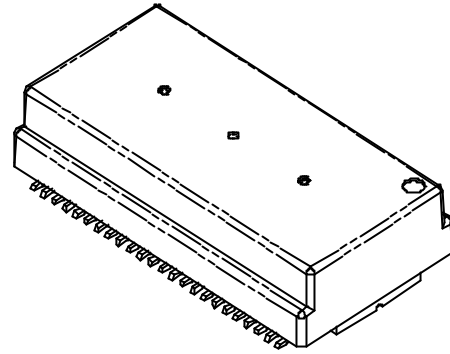
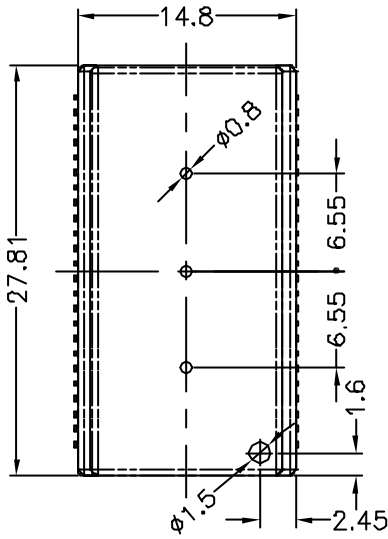


TBI TRANSFORMER BOBBIN INDUSTRIAL CO.,LTD.

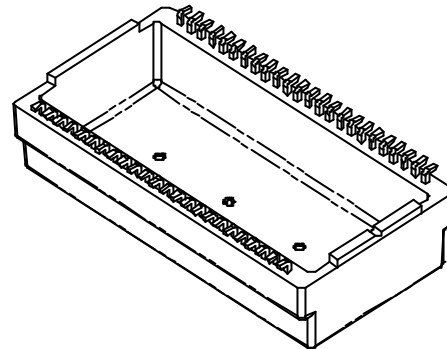
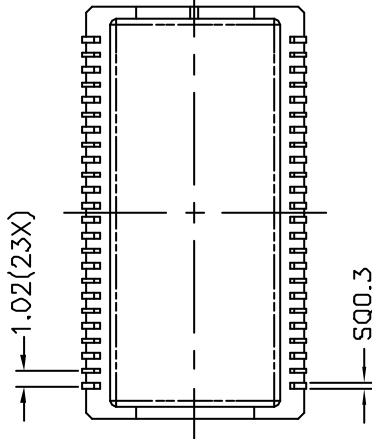
Phone 886-2-22929999 Fax 886-2-22925263
E-MAIL: tb6668@ms46.hinet.net

REVISIONS

REV	SYM	DRAFTER	CHECKER	DATE
①		T.S.LII	W.H.HSU	09/16/02
②		T.S.LII	W.H.HSU	09/19/02
③		T.S.LII	W.H.HSU	10/16/02



DETAIL A-10:1
PATENTED



PART NO. C5012-48P-L-1.02-A-2

DWG NO. TBI-113-07011.2XX

TBI NO.	MATERIAL (BOBBIN)	MATERIAL (TERMINAL)	TERMINAL (PLATING)
113-01011.2XX	AM-113	P.B C5191	AU

113-01011.2XX

AM-113

P.B C5191

AU

PART NO.

REV

MODE NO

PIN LOCATION

Finish:

- Immersion gold on terminal.
Thickness gold 0.075 μm (3 μ inches) min.
Base nickel 0.625 μm (25 μ inches) min.
- Coplanarity deviation: 0.004 inches max.

TOLERANCE

Xt
Xt

UNIT

m/m

SCALE

2:1

REV

3