

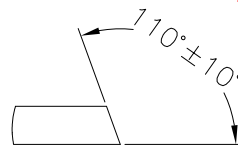
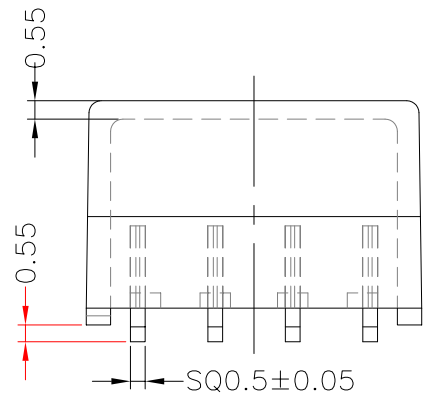
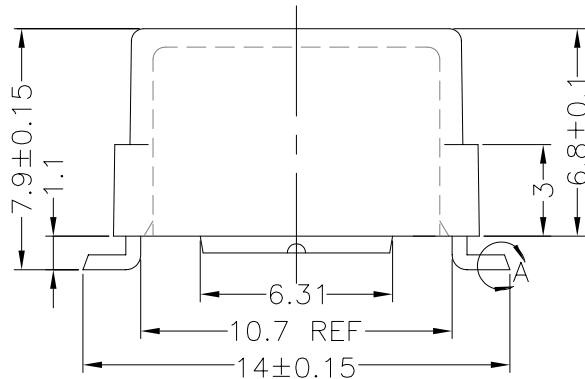
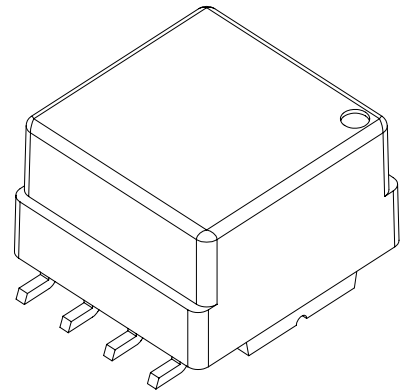
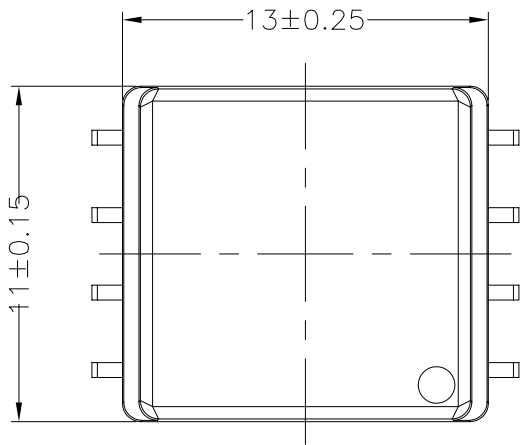


TRANSFORMER BOBBIN
INDUSTRIAL CO.,LTD.

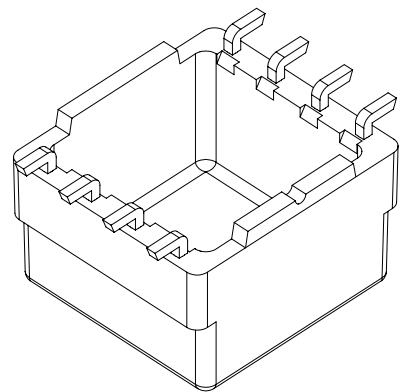
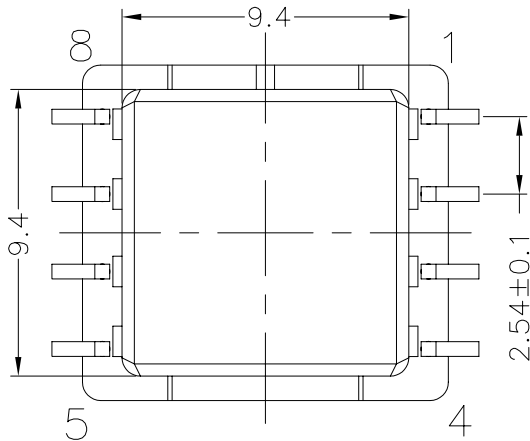
Tel : 86-769-88789999 Fax : 86-769-88789999
http:// tbi-tw.com e-mail : tb6688@ms46.hinet.net

REVISIONS

REV	SYM	DRAFTER	CHECKER	DATE
1		T.S.LII	W.H.HSU	06/30/06
2		T.S.LII	W.H.HSU	04/02/07
3				



DETAIL A-10:1
(PATENTED)



DWG NO. C067-8P-L-2.54-A-1

PART NO.	MATERIAL (BOBBIN)	MATERIAL (TERMINAL)	TERMINAL (PLATING)	PIN ALLOCATION	NOTE
TBI-113-06011.103	PM-9630JT	P.B	Sn	ALL PIN	

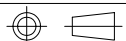
TBI-113-06011.103

PM-9630JT

P.B

Sn

ALL PIN



TOLERANCE: .X±0.15 .XX±0.10 .XXX±0.05

UNIT : m / m

SCALE 4 : 1

Finish: 1. Pb wire Immersion Sn on terminal : Thickness:Sn plating,100,5 μm (200 μ inches) min,Base nickel 0.625 μm (25 μ inches) min.
2. CP wire Immersion Sn on terminal : Thickness:Sn plating,100,5 μm (200 μ inches) min.
3. Coplanarity deviation: 0.10 mm (0.004 inches) max.

REV 2