

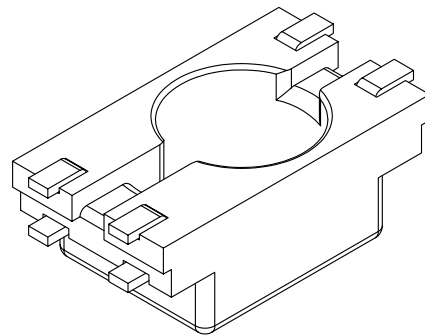
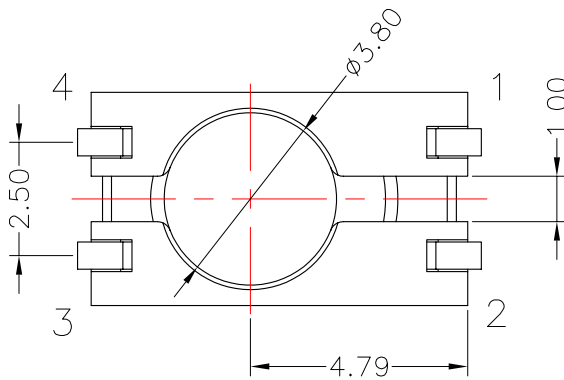
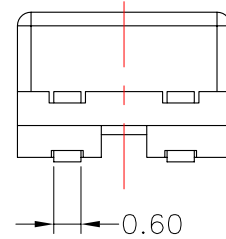
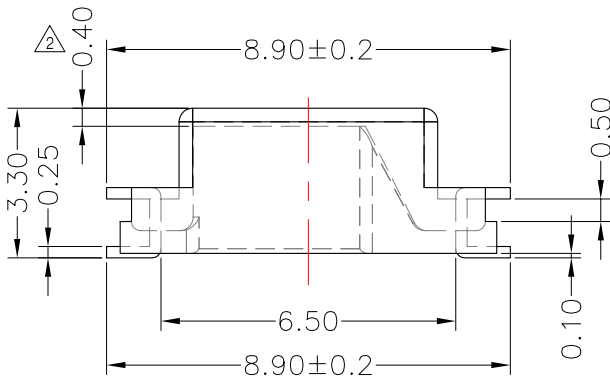
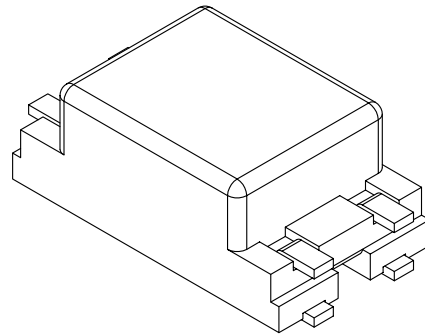
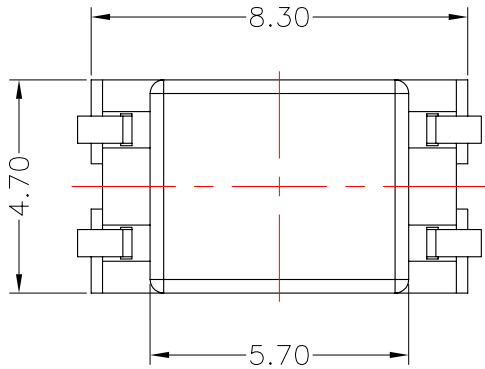


**TRANSFORMER BOBBIN
INDUSTRIAL CO.,LTD.**

Tel : 86-769-88789999 Fax : 86-769-88789989
 http:// tbi-tw.com e-mail : tb6688@ms46.hinet.net

REVISIONS

REV	SYM	DRAFTER	CHECKER	DATE
①		S.Y.TANG	W.H.HSU	09/03/07
②		S.Y.TANG	W.H.HSU	10/04/07
③		S.Y.TANG	G.F.YANG	09/01/08



DWG NO.	IP950-4P-J-2.5-H-22				
PART NO.	MATERIAL (BOBBIN)	MATERIAL (TERMINAL)	TERMINAL (PLATING)	PIN ALLOCATION	NOTE
TBI-113-05081.2203	DAP WH-9100 \triangle	P.B	Sn	ALL PIN	
TOLERANCE: .X±0.15 .XX±0.10 .XXX±0.05					
				UNIT : m / m	SCALE 6 : 1
Finish: 1. Pb wire Immersion Sn on terminal : Thickness:Sn plating,100,5 μ m (200 μ inches) min,Base nickel 0.625 μ m (25 μ inches) min. 2. CP wire Immersion Sn on terminal : Thickness:Sn plating,100,5 μ m (200 μ inches) min. 3. Coplanarity deviation: 0.10 mm (0.004 inches) max.					REV 3