

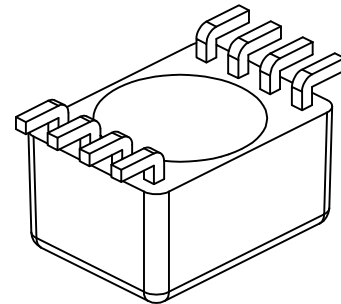
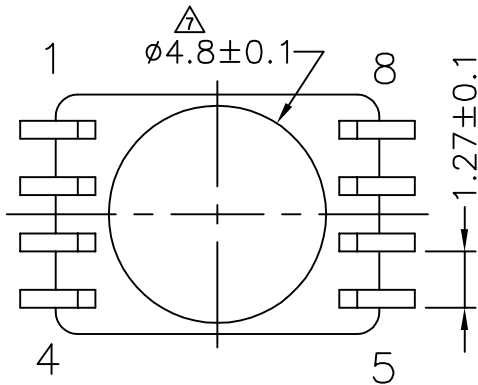
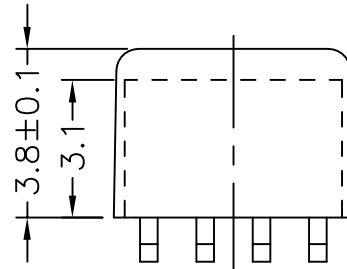
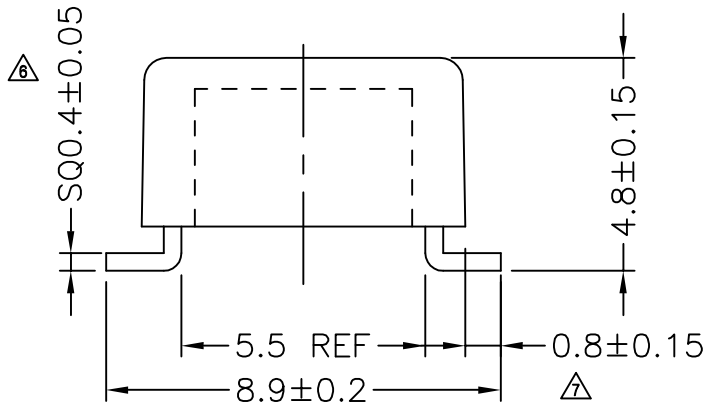
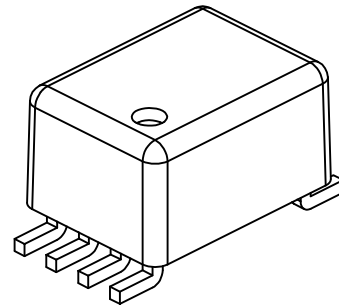
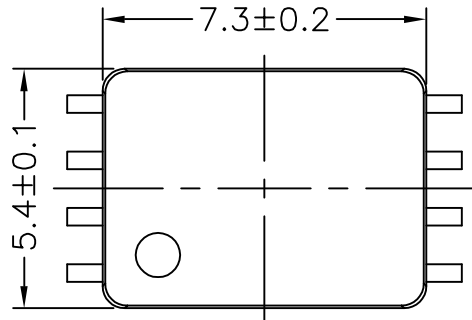


**TRANSFORMER BOBBIN
INDUSTRIAL CO.,LTD.**

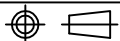
Tel : 886-2-22929999 Fax : 886-2-22925236
http:// tbi-tw.com e-mail : tb6688@ms46.hinet.net

REVISIONS

REV	SYM	DRAFTER	CHECKER	DATE
△1		T.S.LII	W.H.HSU	05/22/05
△2		T.S.LII	W.H.HSU	08/24/05
△3		T.S.LII	W.H.HSU	10/04/05



PART NO.	K5-8P-L-1.27-B-2				
DWG NO.	MATERIAL (BOBBIN)	MATERIAL (TERMINAL)	TERMINAL (PLATING)	PIN ALOCATION	BUYER 'S PART NO.
△113-02021.201	△3 AM-113	P,B	△6 Au or Sn	ALL PIN	



TOLERANCE: .X±0.15 .XX±0.10 .XXX±0.05

UNIT : m/m

SCALE 6 : 1

Finish: 1. Immersion gold on terminal : Thickness gold 0.075 μm (3 μ inches) min, Base nickel 0.625 μm (25 μ inches) min.
2. Immersion Sn on terminal : Terminal: Sn plating, 100, 5 μm (200 μ inches) min , Base nickel 0.625 μm (25 μ inches) min.
3. Coplanarity deviation: 0.10 mm (0.004 inches) max.

REV 7