

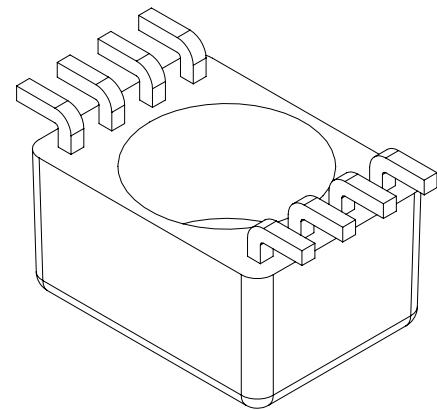
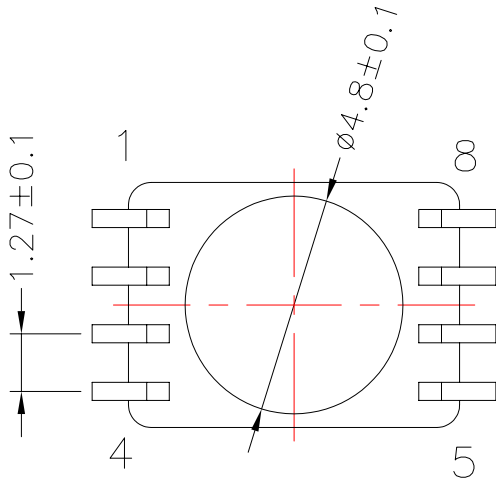
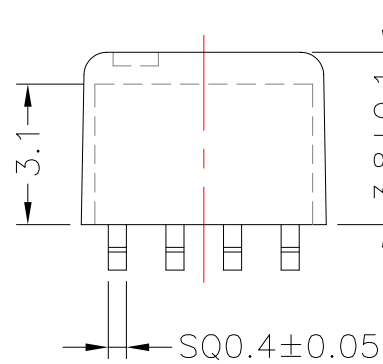
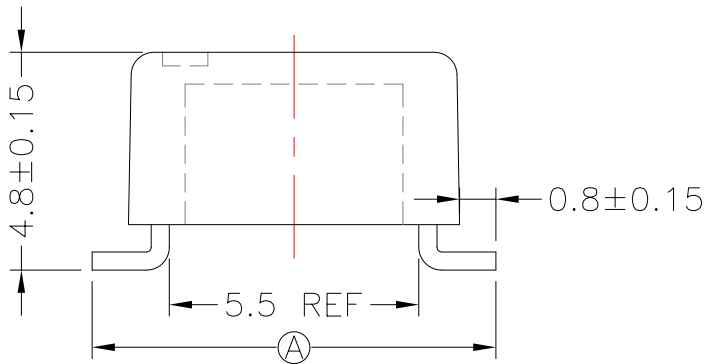
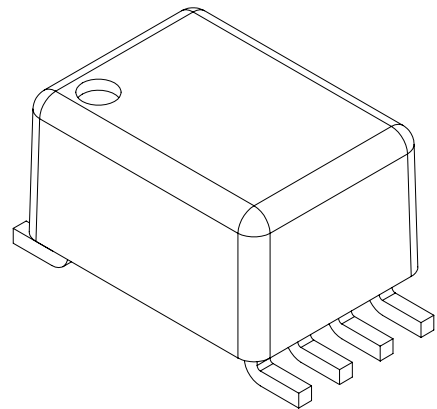
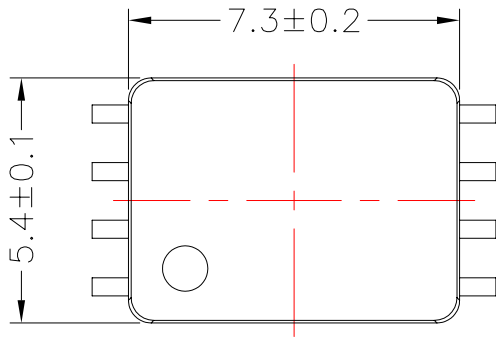


TRANSFORMER BOBBIN INDUSTRIAL CO.,LTD.

Tel : 86-769-88789999 Fax : 86-769-88789989
 http:// tbi-tw.com e-mail : tb6688@ms46.hinet.net

REVISIONS

REV	SYM	DRAFTER	CHECKER	DATE
3		T.S.LII	W.H.HSU	04/02/07
4		S.Y.TANG	W.H.HSU	05/29/07
5		S.Y.TANG	G.F.YANG	01/30/08



NOTE: CASE 頂部共面度為0.15 MAX.

DWG NO.	K5-8P-L-1.27-B-1				
PART NO.	MATERIAL (BOBBIN)	MATERIAL (TERMINAL)	TERMINAL (PLATING)	PIN ALLOCATION	NOTE
TBI-113-02021.103	PM-9630	P.B	Sn	ALL PIN (A)=8.9±0.2	
TBI-113-02021.113	PM-9630	P.B	Sn	ALL PIN (A)=7.3±0.2	H.
<p>TOLERANCE: .X±0.15 .XX±0.10 .XXX±0.05 UNIT : m / m SCALE 6 : 1</p>					
<p>Finish: 1. Pb wire Immersion Sn on terminal : Thickness:Sn plating,100,5 μ m (200 μ inches) min,Base nickel 0.625 μ m (25 μ inches) min. 2. CP wire Immersion Sn on terminal : Thickness:Sn plating,100,5 μ m (200 μ inches) min. 3. Coplanarity deviation: 0.10 mm (0.004 inches) max.</p>					<p>REV 5</p>