

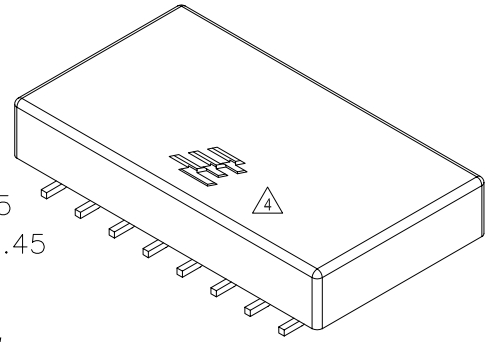
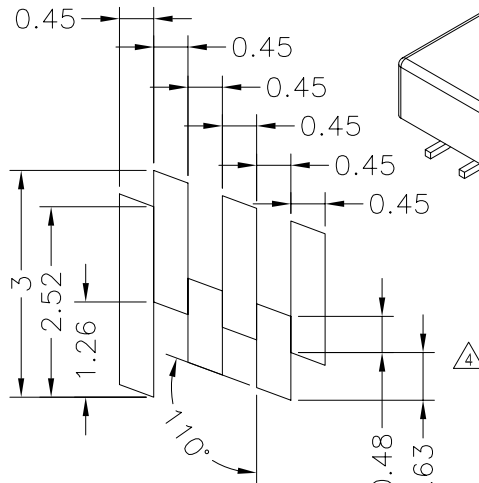
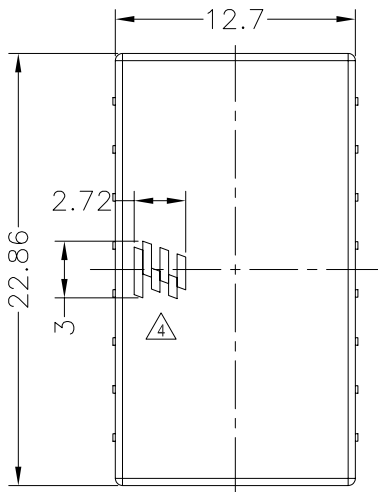


TRANSFORMER BOBBIN INDUSTRIAL CO.,LTD.

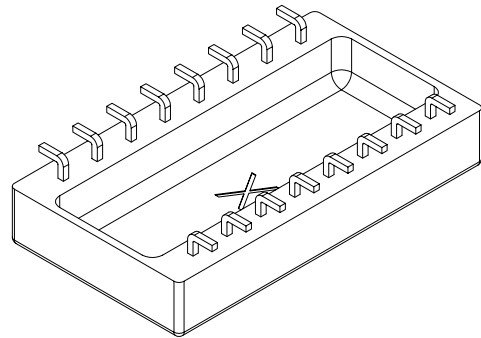
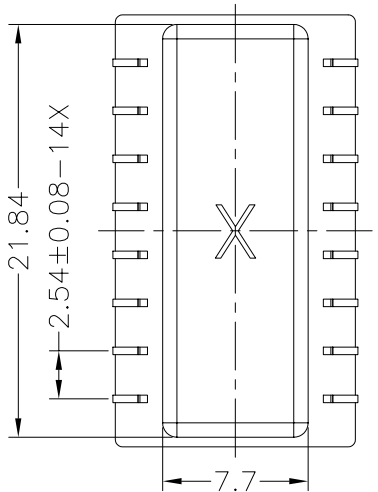
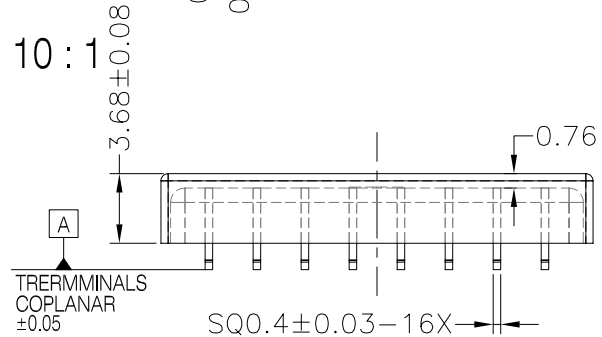
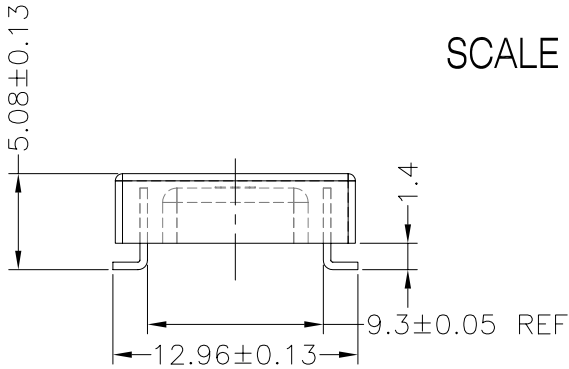
Tel : 86-769-88789999 Fax : 86-769-88789989
http:// tbi-tw.com e-mail : tb6688@ms46.hinet.net

REVISIONS

REV	SYM	DRAFTER	CHECKER	DATE
2		T.S.LII	W.H.HSU	02/12/07
3		T.S.LII	W.H.HSU	03/05/07
4		S.Y.TANG	W.H.HSU	08/28/07



SCALE 10 : 1



DWG NO.	0083-16P-L-2.54-A-1 3				
PART NO.	MATERIAL (BOBBIN)	MATERIAL (TERMINAL)	TERMINAL (PLATING)	PIN ALLOCATION	NOTE
TBI-111-00083.106	PM-9630	C.P WIRE	Sn	ALL PIN	

	TOLERANCE: .X±0.15 .XX±0.10 .XXX±0.05	UNIT : m / m	SCALE 2.5 : 1
Finish:	1. Pb wire Immersion Sn on terminal : Thickness:Sn plating,100,5 μ m (200 μ inches) min,Base nickel 0.625 μ m (25 μ inches) min. 2. CP wire Immersion Sn on terminal : Thickness:Sn plating,100,5 μ m (200 μ inches) min. 3. Coplanarity deviation: 0.10 mm (0.004 inches) max.		
	REV	4	