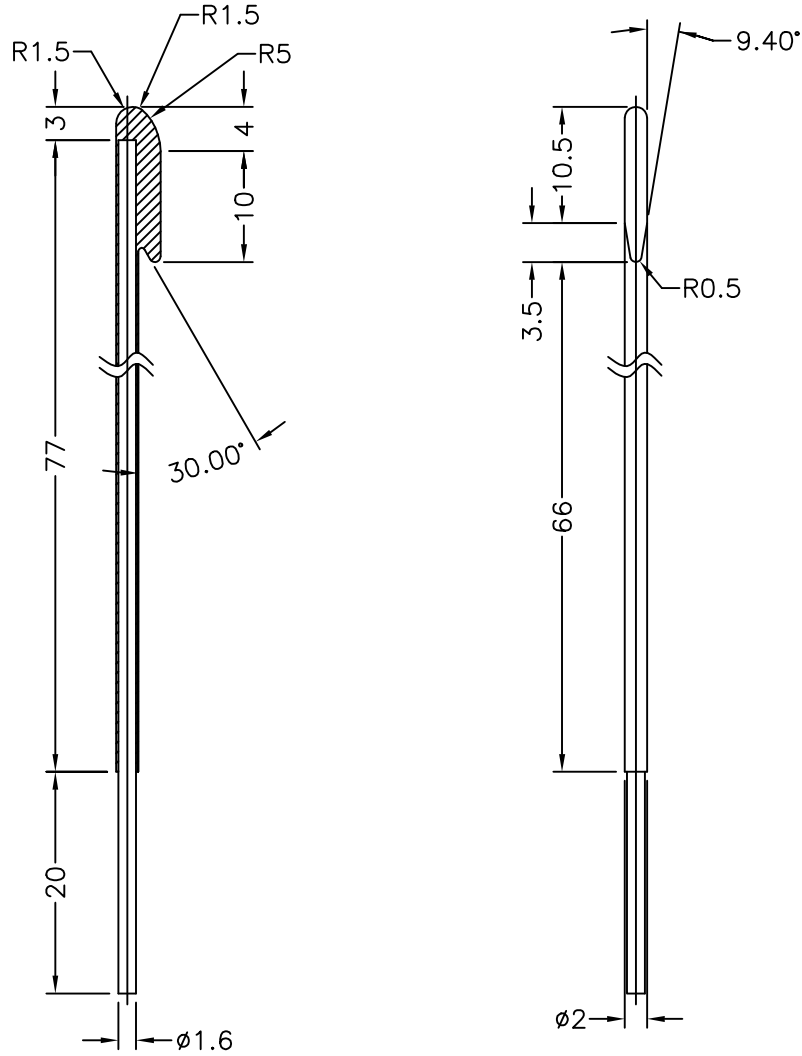


TBI TRANSFORMER BOBBIN INDUSTRIAL CO.,LTD.

Phone 886-2-22929999 Fax 886-2-22925236
E-MAIL: tb6688@ms46.hinet.net

REVISIONS

| REV | SYM | DRAFTER | CHECKER | DATE |
|-----|-----|---------|---------|----------|
| △ | | T.S.LII | W.H.HSU | 07/14/00 |
| △ | | | | |
| △ | | | | |



| | | | | | | | |
|--------------|------------------|--|--|----------|-----|---------|--------------|
| PART NO. | Hand Hook NO.1 | | | | | | |
| DWG NO. | TBI-521-01011.A0 | | | | | | |
| TBI NO. | MATERIAL | | | | | | |
| 521-01011.A0 | POM | | | PART NO. | REV | MODE NO | PIN LOCATION |
| | | | | | | | TOLERANCE |
| | | | | | | | .X± X X± |
| | | | | | | | UNIT |
| | | | | | | | m/m |
| | | | | | | | SCALE |
| | | | | | | | 1.5 : 1 |
| | | | | | | | REV |
| | | | | | | | 1 |