

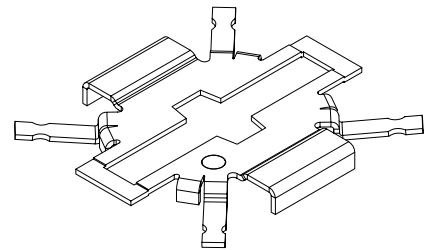
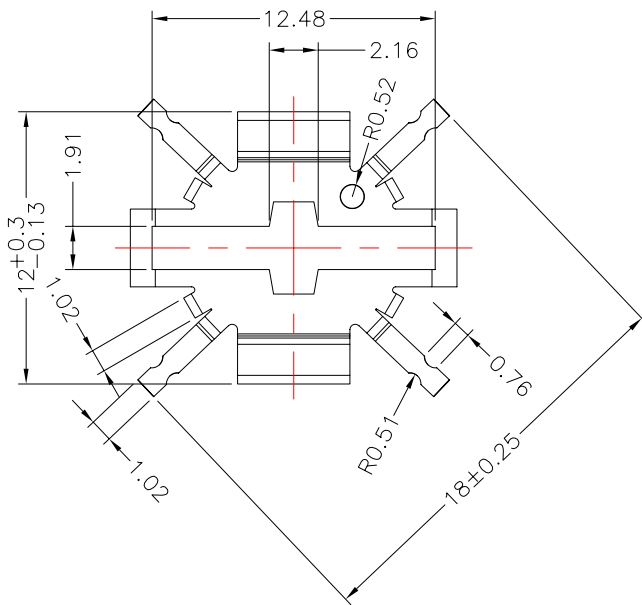
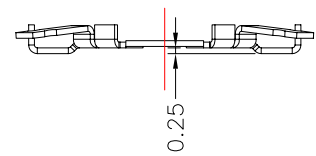
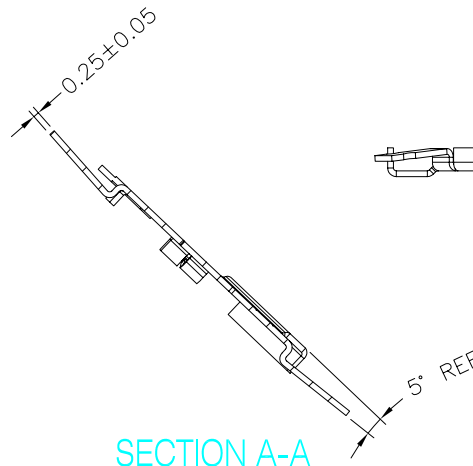
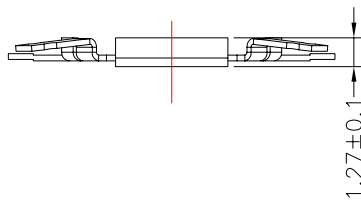
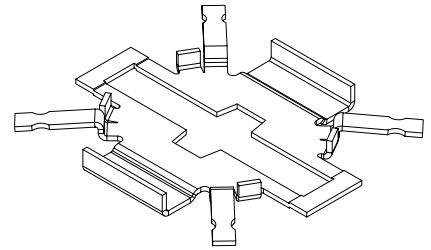
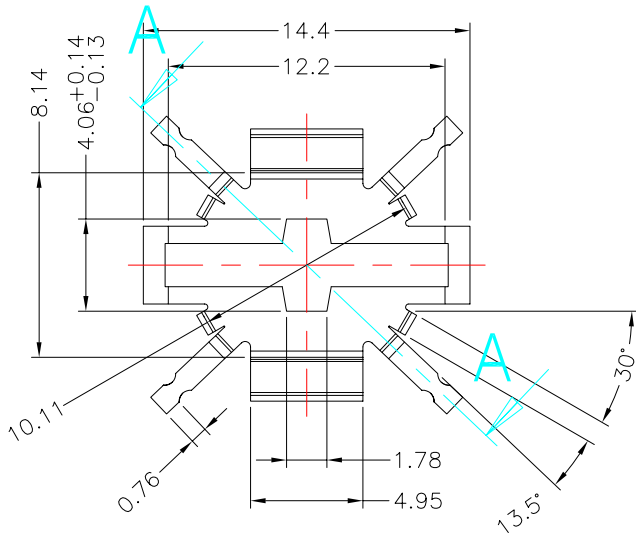


TRANSFORMER BOBBIN INDUSTRIAL CO.,LTD.

Tel : 86-769-88789999 Fax : 86-769-88789989
 http:// tbi-tw.com e-mail : tb6688@ms46.hinet.net

REVISIONS

REV	SYM	DRAFTER	CHECKER	DATE
1		S.Y.TANG	W.H.HSU	06/26/07
2				
3				



DWG NO. DQ12 LF

PART NO.	MATERIAL (BOBBIN)	MATERIAL (CLIP)	TERMINAL (PLATING)	PIN ALLOCATION	NOTE
TBI-411-0056.1		C1100	Sn		

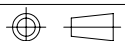
TBI-411-0056.1

C1100

Sn

PIN ALLOCATION

NOTE



TOLERANCE: .X±0.15 .XX±0.10 .XXX±0.05

UNIT : m / m

SCALE 3 : 1

Finish: 1. Pb wire Immersion Sn on terminal : Thickness:Sn plating,100,5 μm (200 μ inches) min,Base nickel 0.625 μm (25 μ inches) min.
 2. CP wire Immersion Sn on terminal : Thickness:Sn plating,100,5 μm (200 μ inches) min.
 3. Coplanarity deviation: 0.10 mm (0.004 inches) max.

REV 1