

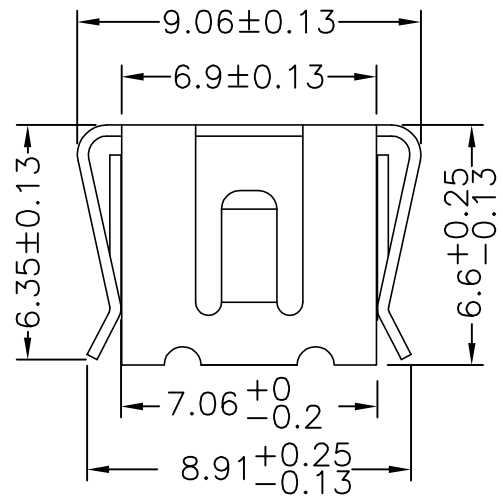
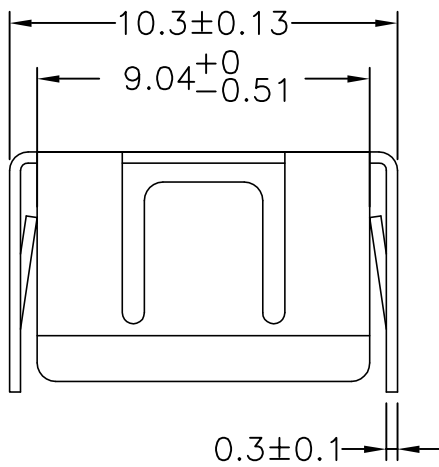


**TRANSFORMER BOBBIN
INDUSTRIAL CO.,LTD.**

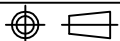
Tel : 886-2-22929999 Fax : 886-2-22925236
 http:// tbi-tw.com e-mail : tb6688@ms46.hinet.net

REVISIONS

REV	SYM	DRAFTER	CHECKER	DATE
△		T.S.LII	W.H.HSU	11/21/01
△		T.S.LII	W.H.HSU	09/14/04
△				



PART NO.	EP7-SMD-CLIP				
DWG NO.	MATERIAL (CLIP)	MATERIAL (TERMINAL)	TERMINAL (PLATING)	PIN ALOCATION	BUYER ' S PART NO.
TBI-403-08031.1	SUS 301				



TOLERANCE: .X±0.15 .XX±0.10 .XXX±0.05

UNIT : m/m

SCALE 5 : 1

Finish: 1. Immersion gold on terminal : Thickness gold 0.075 μm (3 μ inches) min, Base nickel 0.625 μm (25 μ inches) min.
 2. Immersion Sn on terminal : Terminal: Sn plating, 100, 5 μm (200 μ inches) min , Base nickel 0.625 μm (25 μ inches) min.
 3. Coplanarity deviation: 0.10 mm (0.004 inches)max.

REV 2