

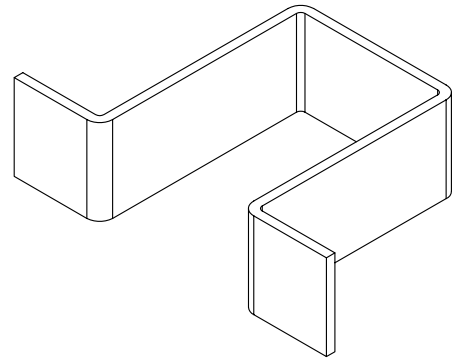
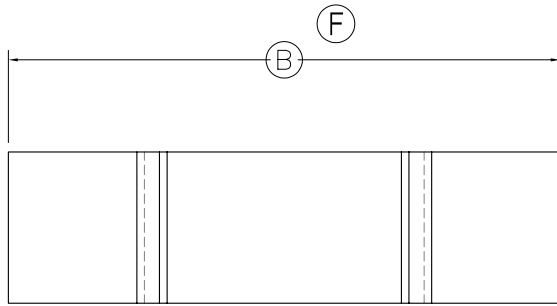
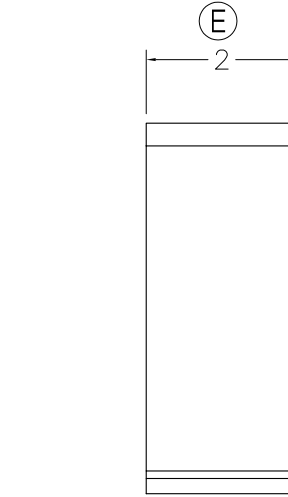
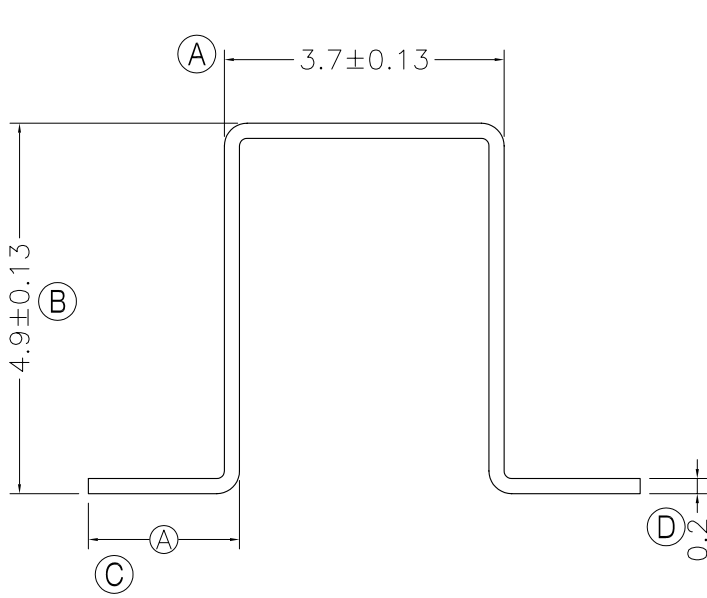


**TRANSFORMER BOBBIN
INDUSTRIAL CO.,LTD.**

Tel : 86-769-88789999 Fax : 86-769-88789989
 http:// tbi-tw.com e-mail : tb6688@ms46.hinet.net

REVISIONS

REV	SYM	DRAFTER	CHECKER	DATE
①		Y.G.HSU	W.H.HSU	06/22/07
②		S.Y.TANG	G.F.YANG	09/02/08
③				



DWG NO.	EE5 SMD Coil			
PART NO.	MATERIAL (BOBBIN)	MATERIAL (CLIP)	TERMINAL (PLATING)	NOTE
TBI-401-01021.103		C1100	Ni+Sn	Ⓐ=1.0±0.13 Ⓑ=5.3
TBI-401-01021.113		C1100	Ni+Sn	Ⓐ=1.8±0.13 Ⓑ=6.9

TOLERANCE: .X±0.15 .XX±0.10 .XXX±0.05 UNIT : m / m SCALE 10 : 1

Finish: 1. Pb wire Immersion Sn on terminal : Thickness:Sn plating,100,5 μm (200 μ inches) min,Base nickel 0.625 μm (25 μ inches) min.
 2. CP wire Immersion Sn on terminal : Thickness:Sn plating,100,5 μm (200 μ inches) min.
 3. Coplanarity deviation: 0.10 mm (0.004 inches) max.

REV 2