

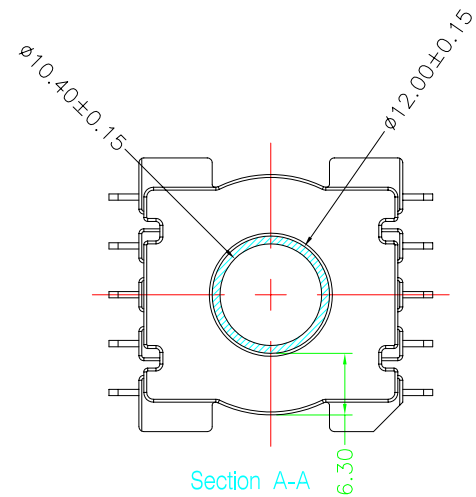
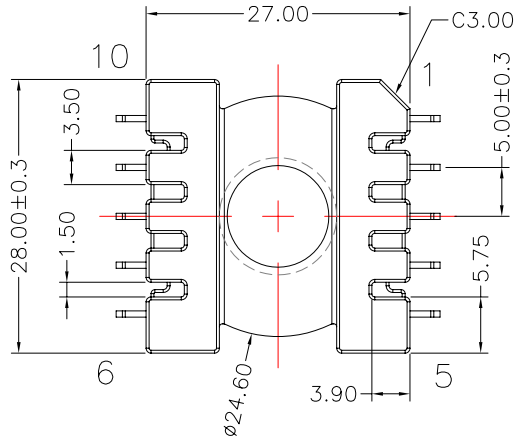
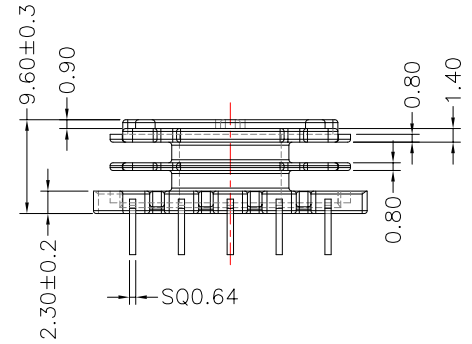
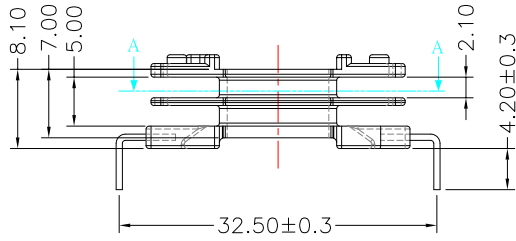
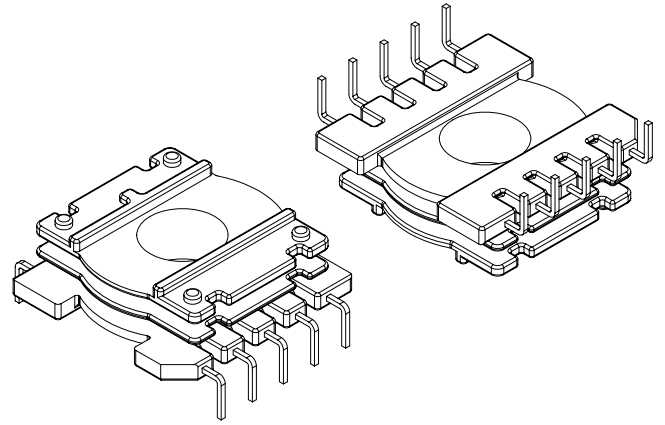
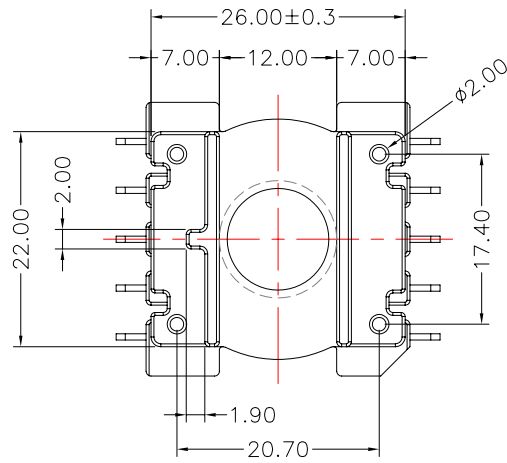


**TBI** TRANSFORMER BOBBIN INDUSTRIAL CO.,LTD.

Tel : 86-769-88789999 Fax : 86-769-88789989  
 http:// tbi-tw.com e-mail : tb6688@ms46.hinet.net

REVISIONS

REV	SYM	DRAFTER	CHECKER	DATE
1		X.H.GU	G.F.YANG	04/24/10
2				
3				



WINDING SPACE: 4.2mm\*6.3mm=26.46mm<sup>2</sup>

DWG NO.	ATR32-11.8-10P-THT-0A-12-2S				
PART NO.	MATERIAL (BOBBIN)	MATERIAL (TERMINAL)	TERMINAL (PLATING)	PIN ALLOCATION	NOTE
TBI-238-33012.1206	PM-9820	CP WIRE	Sn	ALL PIN	
	TOLERANCE: 0<L≤4:±0.1 4<L≤16:±0.2 16<L≤63:±0.3			UNIT : m / m	SCALE 1 : 1

Finish: 1. PB wire Immersion Sn on terminal : Thickness:Sn plating,100,5 µm (200 µ inches) min,Base nickel 0.625 µm (25 µ inches) min.  
 2. CP wire Immersion Sn on terminal : Thickness:Sn plating,100,5 µm (200 µ inches) min.  
 3. Coplanarity deviation: 0.10 mm (0.004 inches) max.

REV 1