

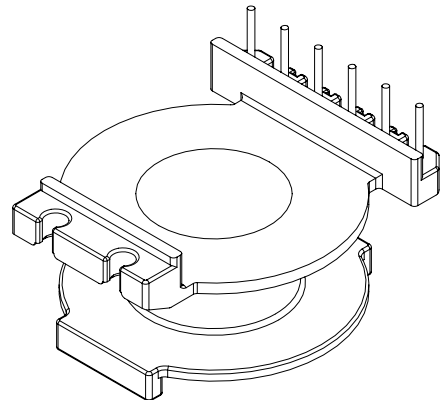
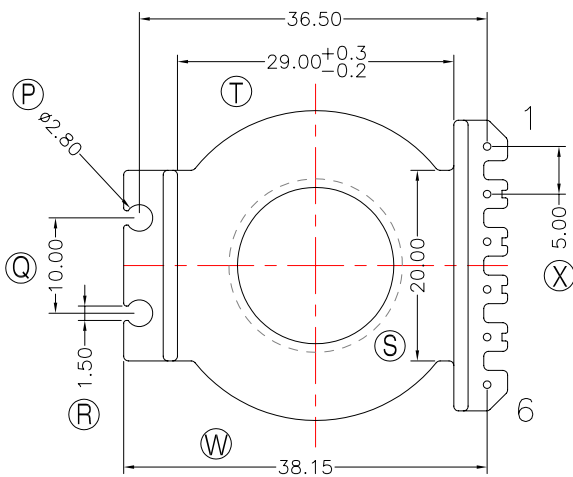
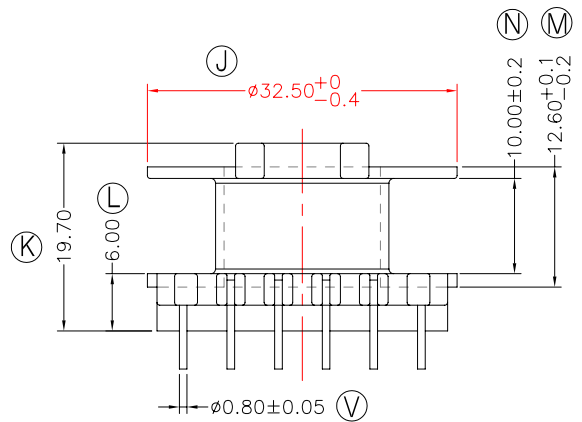
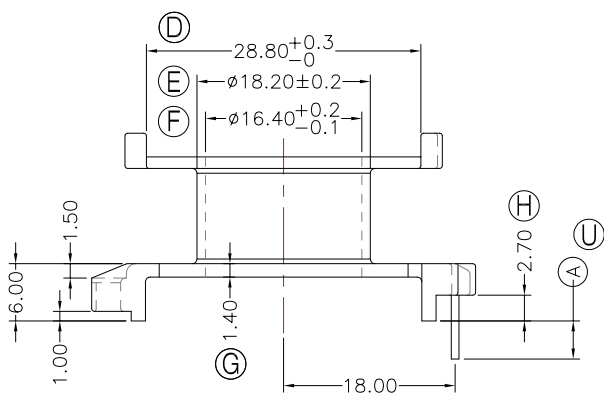
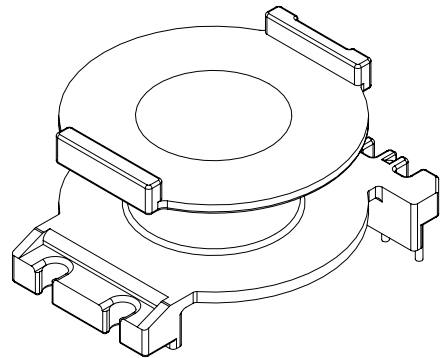
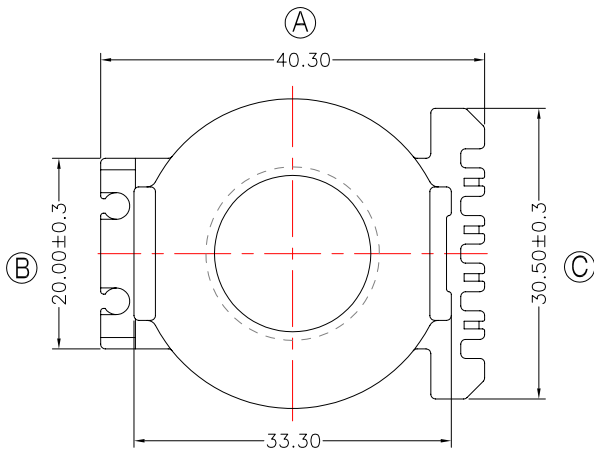


TRANSFORMER BOBBIN  
INDUSTRIAL CO.,LTD.

Tel : 86-769-88789999 Fax : 86-769-88789989  
http:// tbi-tw.com e-mail : tb6688@ms46.hinet.net

REVISIONS

REV	SYM	DRAFTER	CHECKER	DATE
1		X.H.GU	G.F.YANG	02/28/13
2				
3				



DWG NO. CC4020-6P-TH-C6-12

PART NO.	MATERIAL (BOBBIN)	MATERIAL (TERMINAL)	TERMINAL (PLATING)	PIN ALLOCATION	NOTE
TBI-239-01361.1206	PM-9820	CP WIRE	Sn	ALL PIN (A)=4.0±0.3	S
TBI-239-01361.1216	PM-9820	CP WIRE	Sn	NO PIN#1,5,6 (A)=3.2±0.3	

TOLERANCE: 0<L<=4:±0.1 4<L<=16:±0.2 16<L:±0.3 PIN PITCH:±0.2 UNIT : m / m SCALE 1 : 1

Finish: 1. PB wire Immersion Sn on terminal : Thickness:Sn plating,100,5 μm (200 μ inches) min,Base nickel 0.625 μm (25 μ inches) min.  
2. CP wire Immersion Sn on terminal : Thickness:Sn plating,100,5 μm (200 μ inches) min.  
3. Coplanarity deviation: 0.10 mm (0.004 inches) max.

REV 1