



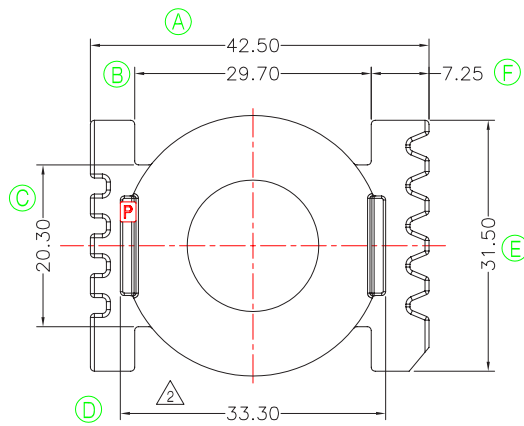
TRANSFORMER BOBBIN INDUSTRIAL CO.,LTD.

Tel : 86-769-88789999 Fax : 86-769-88789989
 http:// tbi-tw.com e-mail : tb6688@ms46.hinet.net

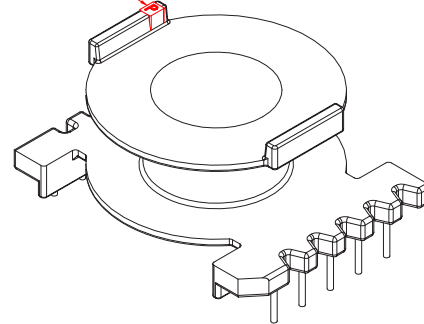
REVISIONS				
REV	SYM	DRAFTER	CHECKER	DATE
1		X.H.GU	G.F.YANG	01/14/09
2		X.H.GU	G.F.YANG	04/20/09
3		X.H.GU	G.F.YANG	11/15/16

A

A

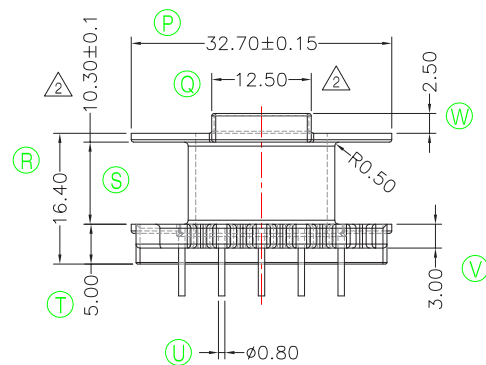
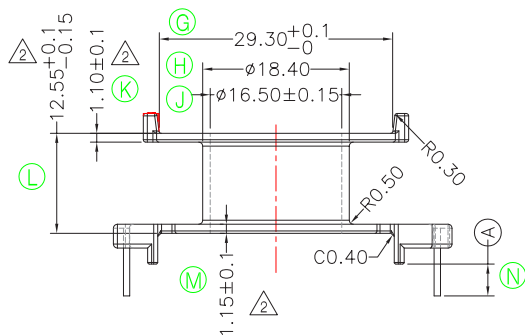


△ 文字凸出0.05~0.15mm



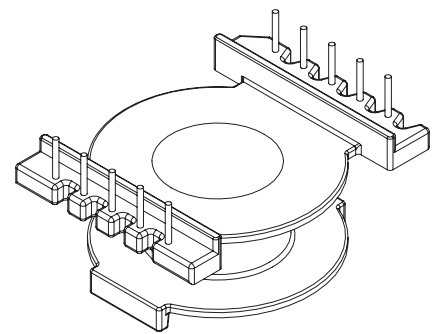
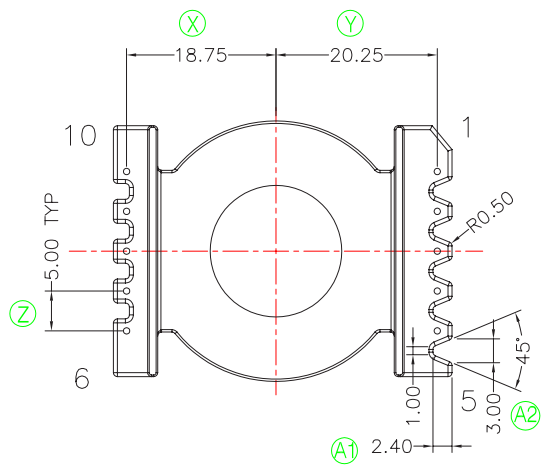
B

B



C

C



焊錫前拉力:1.0KG MIN
 焊錫後拉力:1.53KG MIN
 任意一點強度須3.0kg MIN;

D

D

E

E

DWG NO.	CC4020-10P-TH-5.0-C-12						
PART NO.	MATERIAL (BOBBIN)	MATERIAL (TERMINAL)	TERMINAL (PLATING)	PIN ALLOCATION	NOTE		
TBI-239-01031.1206	PM-9820	CP WIRE	Sn	ALL PIN (A) = 4.0±0.3	S		
TBI-239-01031.1216	PM-9820	CP WIRE	Sn	ALL PIN (A) = 4.5±0.2	H		
TBI-239-01031.1226	PM-9820	CP WIRE	Sn	ALL PIN (A) = 3.5±0.2			
TBI-239-01031.1236	PM-9820	CP WIRE	Sn	NO PIN#1 (A) = 4.5±0.2			
TBI-239-01031.1246	PM-9820	CP WIRE	Sn	NO PIN#4,6,7 (A) = 4.5±0.2			
TBI-239-01031.1256	PM-9820	CP WIRE	Sn	NO PIN#1 (A) = 6.0±0.3	暫無刀模		
TBI-239-01031.1266	PM-9820	CP WIRE	Sn	NO PIN#1,2,9 (A) = 4.5±0.2			
TBI-239-01031.1276	PM-9820	CP WIRE	Sn	NO PIN#1,2,3 (A) = 4.5±0.2			
TBI-239-01031.1286	PM-9820	CP WIRE	Sn	NO PIN#1,2 (A) = 5.0±0.5			
TBI-239-01031.1296	PM-9820	CP WIRE	Sn	ALL PIN (A) = 5.0±0.2			
TBI-239-01031.12A6	PM-9820	CP WIRE	Sn	NO PIN#1,2 (A) = 4.5±0.2			
TOLERANCE: 0<L<=4:±0.1 4<L<=16:±0.2 16<L<=50:±0.3 PIN PITCH±0.2				UNIT : m / m	SCALE 1 : 1		
Finish: 1. PB wire Immersion Sn on terminal : Thickness:Sn plating,100,5 μm (200 μ inches) min,Base nickel 0.625 μm (25 μ inches) min. 2. CP wire Immersion Sn on terminal : Thickness:Sn plating,100,5 μm (200 μ inches) min. 3. Coplanarity deviation: 0.10 mm (0.004 inches) max.					<table border="1"> <tr> <td>REV</td> <td>3</td> </tr> </table>	REV	3
REV	3						

F

F