

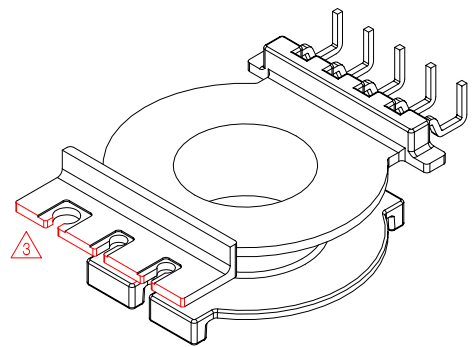
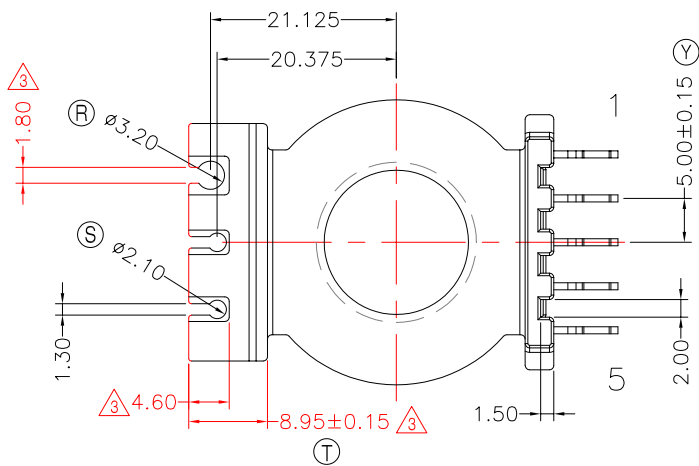
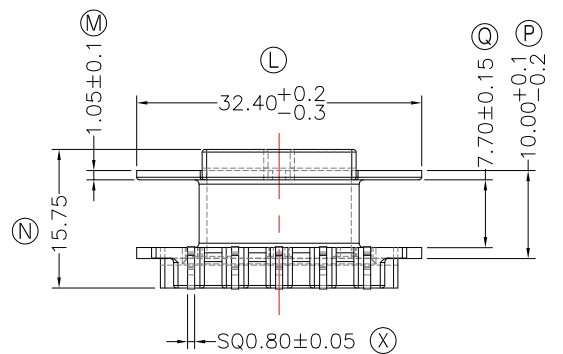
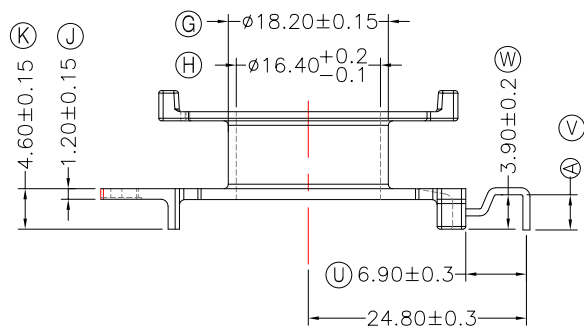
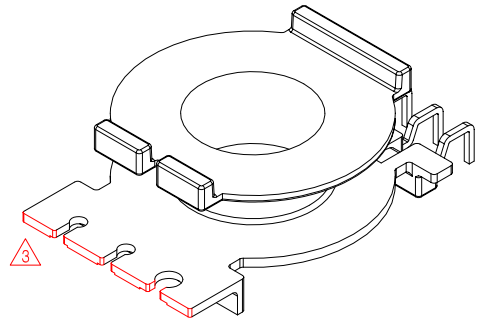
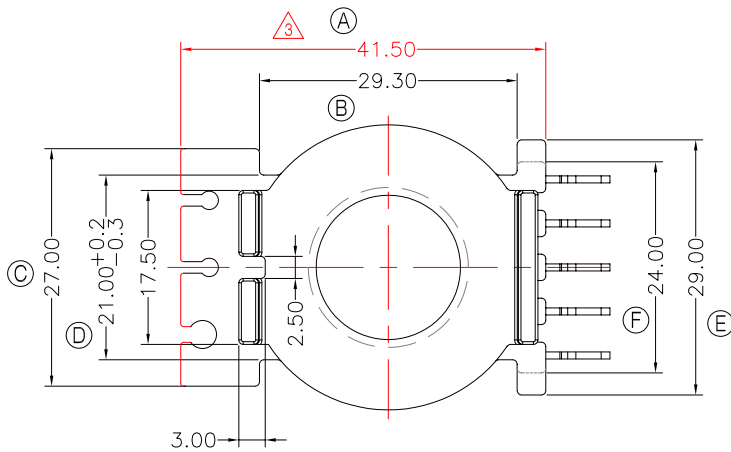


**TRANSFORMER BOBBIN
INDUSTRIAL CO.,LTD.**

Tel : 86-769-88789999 Fax : 86-769-88789989
http:// tbi-tw.com e-mail : tb6688@ms46.hinet.net

REVISIONS

REV	SYM	DRAFTER	CHECKER	DATE
△1		X.H.GU	G.F.YANG	03/08/13
△2		X.H.GU	G.F.YANG	04/01/13
△3		X.H.GU	G.F.YANG	04/19/13



NOTE:

- 1.任意一點強度須2.0kg MIN;
- 2.焊錫前拉力:1.0KG MIN;焊錫後拉力:1.5KG MIN
- 3.WINDING SPACE:7.7mm*7.1mm=54.67mm²

DWG NO. CC40-16.2D-5P-THT-3E-12

PART NO.	MATERIAL (BOBBIN)	MATERIAL (TERMINAL)	TERMINAL (PLATING)	PIN ALLOCATION	NOTE
TBI-239-01351.1206	PM-9820	CP WIRE	Sn	ALL PIN (A)=4.0±0.3	S
TBI-239-01351.1216	PM-9820	CP WIRE	Sn	ALL PIN (A)=5.0±0.3	H
TBI-239-01351.1226	PM-9820	CP WIRE	Sn	ALL PIN (A)=3.2±0.3	
TBI-239-01351.1236	PM-9820	CP WIRE	Sn	ALL PIN (A)=3.4±0.3	

TOLERANCE: 0<L<=4:±0.1 4<L<=16:±0.2 16<L<=50:±0.3 PIN PITCH±0.2

UNIT : m / m

SCALE 1 : 1

Finish: 1. PB wire Immersion Sn on terminal : Thickness:Sn plating,100,5 μm (200 μ inches) min,Base nickel 0.625 μm (25 μ inches) min.
2. CP wire Immersion Sn on terminal : Thickness:Sn plating,100,5 μm (200 μ inches) min.
3. Coplanarity deviation: 0.10 mm (0.004 inches) max.

REV 3