

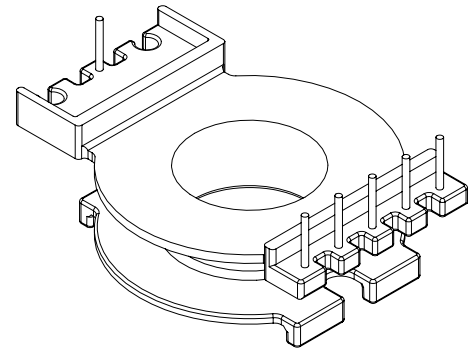
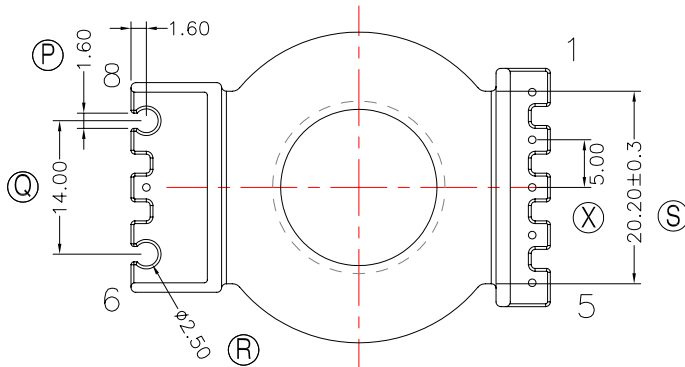
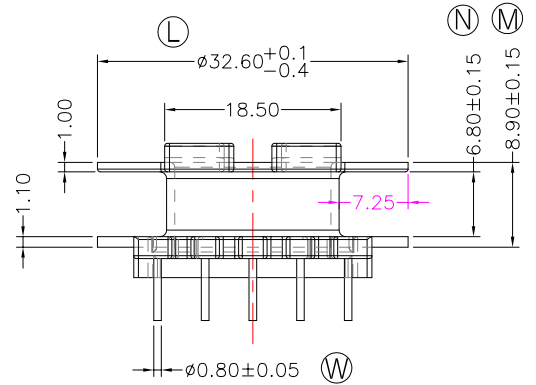
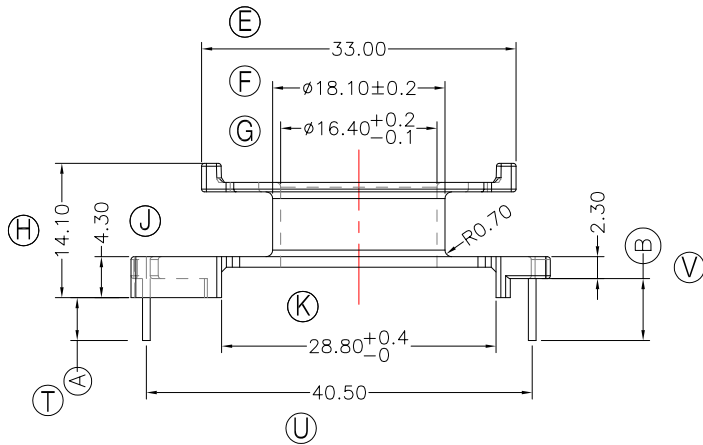
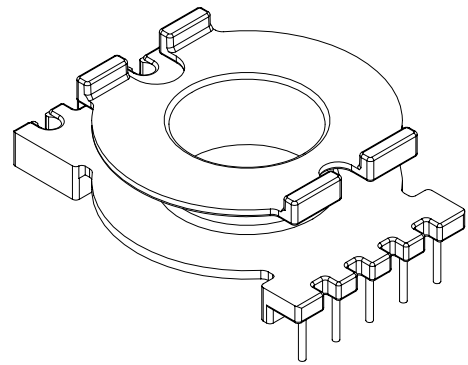
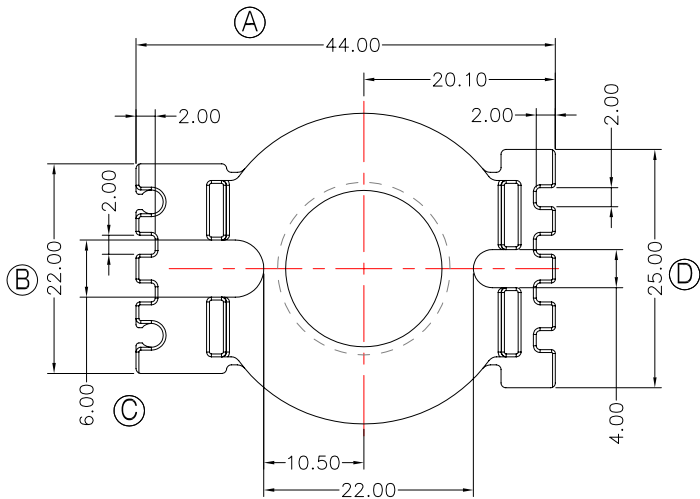


**TRANSFORMER BOBBIN
INDUSTRIAL CO.,LTD.**

Tel : 86-769-88789999 Fax : 86-769-88789999
http:// tbi-tw.com e-mail : tb6688@ms46.hinet.net

REVISIONS

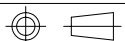
REV	SYM	DRAFTER	CHECKER	DATE
1		X.H.GU	G.F.YANG	10/24/11
2				
3				



- 注: 1.任意一點強度須1.5kg MIN;
2.PIN拉力須焊前1.0Kg MIN焊后2.0Kg MIN.
3.WINDING SPACE: 7.25mm*6.8mm=49.3mm²

DWG NO. CC40-15.4H-8P-TH-C0-11

PART NO.	MATERIAL (BOBBIN)	MATERIAL (TERMINAL)	TERMINAL (PLATING)	PIN ALLOCATION	NOTE
TBI-239-01301.1106	PM-9630	CP WIRE	Sn	ALL PIN (A)=4.5±0.3 (B)=6.5±0.3	S
TBI-239-01301.1116	PM-9630	CP WIRE	Sn	ALL PIN (A)=3.3±0.3 (B)=5.3±0.3	H
TBI-239-01301.1126	PM-9630	CP WIRE	Sn	CUT PIN#5 (A)=3.3±0.3 (B)=5.3±0.3	
TBI-239-01301.1136	PM-9630	CP WIRE	Sn	ALL PIN (A)=3.5±0.2 (B)=5.5±0.2	
TBI-239-01301.1146	PM-9630	CP WIRE	Sn	CUT PIN#5 (A)=3.5±0.2 (B)=5.5±0.3	



TOLERANCE: 0<L<=4:±0.1 4<L<=16:±0.2 16<L:±0.3 PIN PITCH:±0.2

UNIT : m / m

SCALE 1 : 1

Finish: 1. PB wire Immersion Sn on terminal : Thickness:Sn plating,100,5 μm (200 μ inches) min,Base nickel 0.625 μm (25 μ inches) min.
2. CP wire Immersion Sn on terminal : Thickness:Sn plating,100,5 μm (200 μ inches) min.
3. Coplanarity deviation: 0.10 mm (0.004 inches) max.

REV 1