

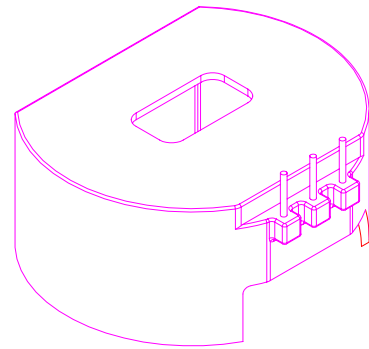
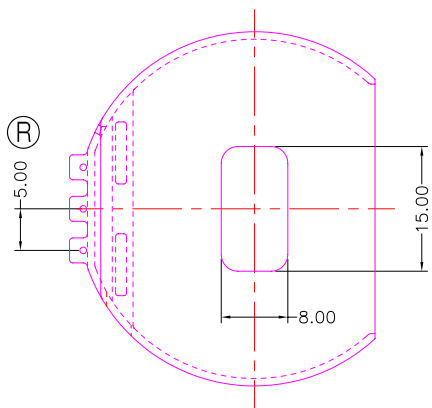
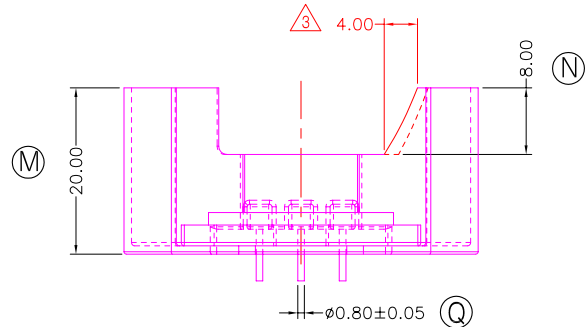
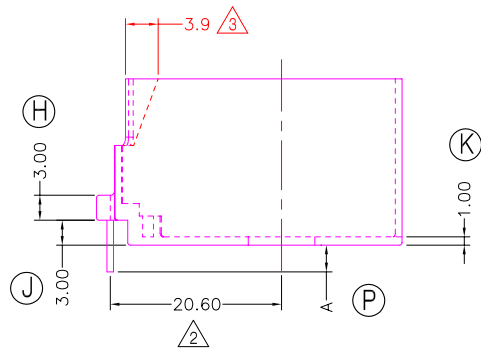
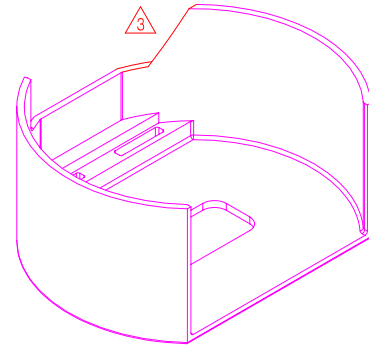
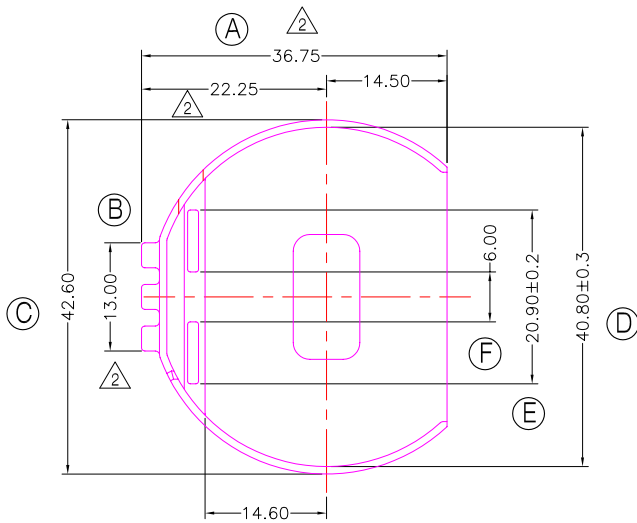


TRANSFORMER BOBBIN  
INDUSTRIAL CO.,LTD.

Tel : 86-769-88789999 Fax : 86-769-88789999  
http:// tbi-tw.com e-mail : tb6688@ms46.hinet.net

REVISIONS

REV	SYM	DRAFTER	CHECKER	DATE
①		X.H.GU	G.F.YANG	08/11/11
②		X.H.GU	G.F.YANG	09/05/11
③		X.H.GU	G.F.YANG	06/25/12



注: 1.任意一點強度須1.0kg MIN;  
2.PIN拉力須焊前1.0Kg MIN焊后1.5Kg MIN.  
與TBI-239-01261.11XX(CC40-20-5P-TH-B6-11)配套使用;

DWG NO. CC40-20-3P-CASE-B7-11

PART NO.	MATERIAL (BOBBIN)	MATERIAL (TERMINAL)	TERMINAL (PLATING)	PIN ALLOCATION	NOTE
TBI-239-01271.1106	PM-9630	CP WIRE	Sn	ALL PIN (A)=3.2±0.3	S
TBI-239-01271.1116	PM-9630	CP WIRE	Sn	ALL PIN (A)=6.0±0.5	

TOLERANCE: 0<L<=4:±0.1 4<L<=16:±0.2 16<L:±0.3

UNIT : m / m

SCALE 1 : 1

Finish: 1. PB wire Immersion Sn on terminal : Thickness:Sn plating,100,5 μm (200 μ inches) min,Base nickel 0.625 μm (25 μ inches) min.  
2. CP wire Immersion Sn on terminal : Thickness:Sn plating,100,5 μm (200 μ inches) min.  
3. Coplanarity deviation: 0.10 mm (0.004 inches) max.

REV 3