

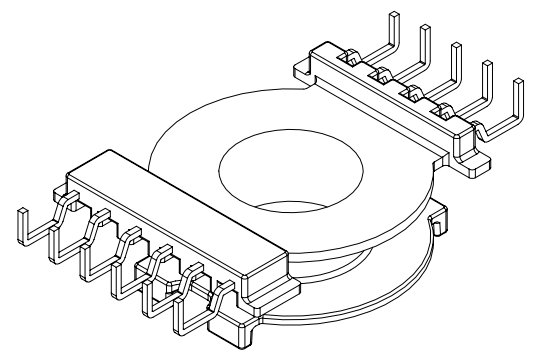
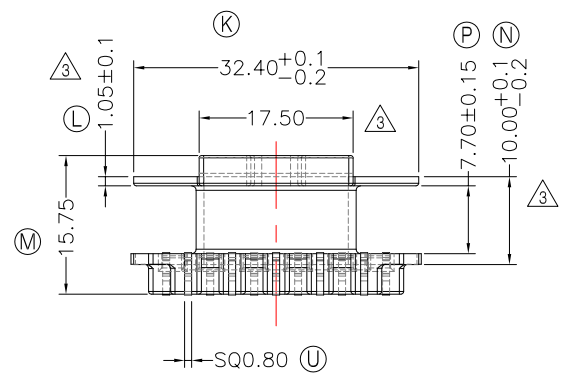
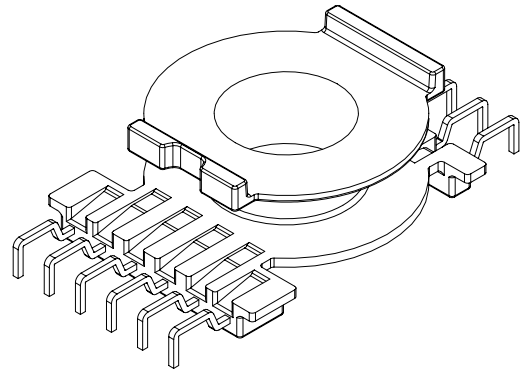
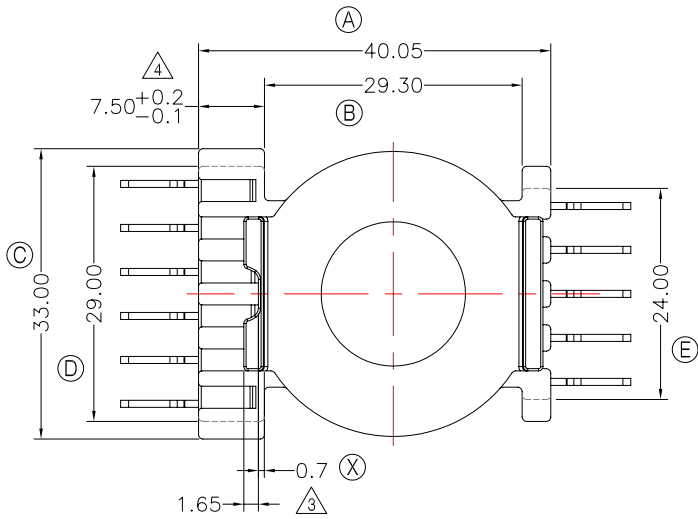


**TRANSFORMER BOBBIN
INDUSTRIAL CO.,LTD.**

Tel : 86-769-88789999 Fax : 86-769-88789989
http:// tbi-tw.com e-mail : tb6688@ms46.hinet.net

REVISIONS

| REV | SYM | DRAFTER | CHECKER | DATE |
|-----|-----|---------|----------|----------|
| 3 | | X.H.GU | G.F.YANG | 06/14/11 |
| 4 | | X.H.GU | G.F.YANG | 07/05/11 |
| 5 | | X.H.GU | G.F.YANG | 07/26/11 |



CORE TYPE :CC40/16.2D

焊錫前拉力:1.0KG MIN

焊錫後拉力:1.5KG MIN

任意一點強度須1.5kg MIN;

WINDING SPACE:7.1mm*7.7mm=50.41 mm²

DWG NO. CC40-16.5A-11P-THT-2D-12

PART NO. MATERIAL (BOBBIN) MATERIAL (TERMINAL) TERMINAL (PLATING) PIN ALLOCATION NOTE

| | | | | | |
|--------------------|---------|---------|----|---------|---|
| TBI-239-01241.1206 | PM-9820 | CP WIRE | Sn | ALL PIN | S |
| | | | | | H |
| | | | | | |
| | | | | | |
| | | | | | |
| | | | | | |

TOLERANCE: 0<L<=4:±0.1 4<L<=16:±0.2 16<L<=50:±0.3 PIN PITCH±0.2 UNIT : m / m SCALE 1 : 1

Finish: 1. PB wire Immersion Sn on terminal : Thickness:Sn plating,100,5 μm (200 μ inches) min,Base nickel 0.625 μm (25 μ inches) min.

2. CP wire Immersion Sn on terminal : Thickness:Sn plating,100,5 μm (200 μ inches) min.

3. Coplanarity deviation: 0.10 mm (0.004 inches) max.

REV 5