

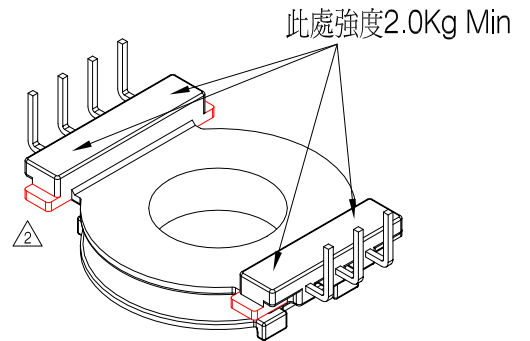
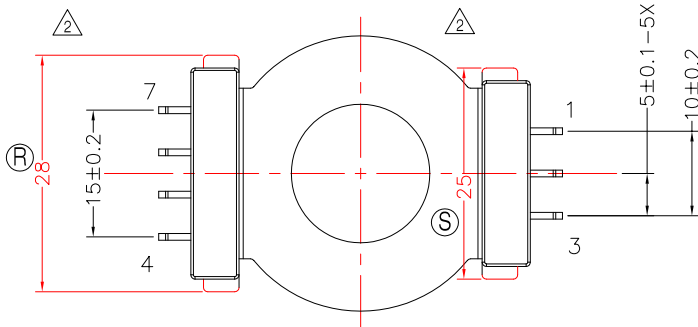
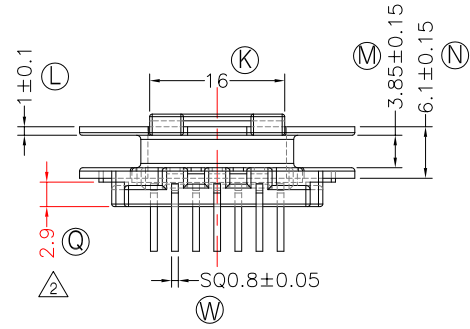
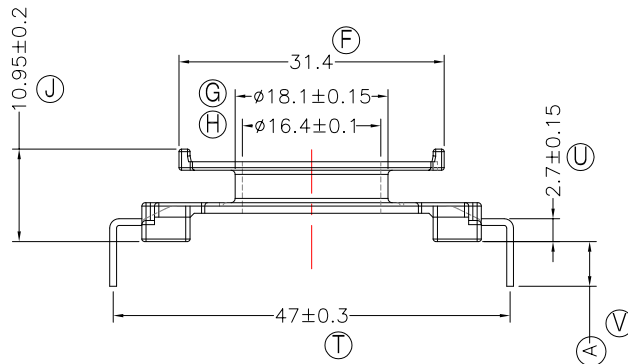
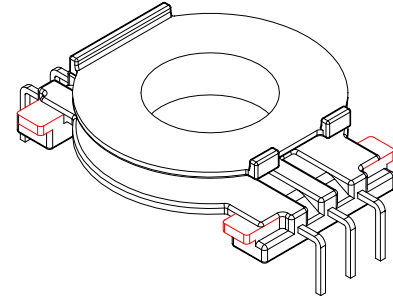
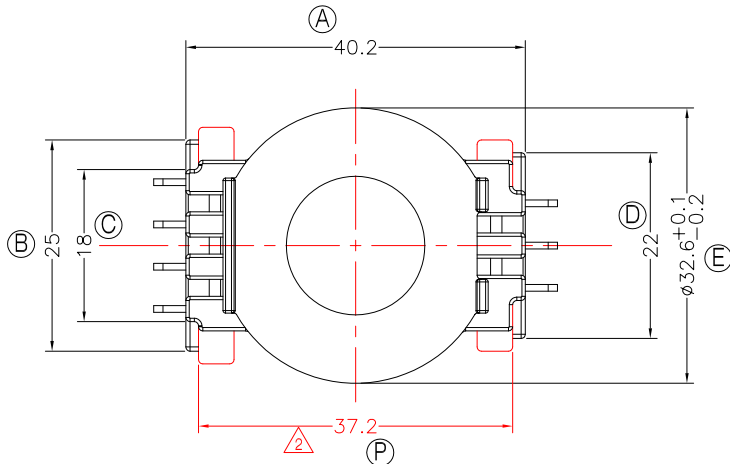


TRANSFORMER BOBBIN
INDUSTRIAL CO.,LTD.

Tel : 86-769-88789999 Fax : 86-769-88789989
http:// tbi-tw.com e-mail : tb6688@ms46.hinet.net

REVISIONS

REV	SYM	DRAFTER	CHECKER	DATE
①		YAN.TANG	G.F.YANG	04/08/10
②		X.H.GU	G.F.YANG	04/23/10
③				



焊錫前拉力:1.5KG MIN
焊錫後拉力:2.04KG MIN
任意一點強度須3.0kg MIN;

DWG NO. CC40-12.6A-7P-THT-5.0-1F-12

PART NO.	MATERIAL (BOBBIN)	MATERIAL (TERMINAL)	TERMINAL (PLATING)	PIN ALLOCATION	NOTE
TBI-239-01161.1206	PM-9820	CP WIRE	Sn	ALL PIN ①=5.3±0.3	S
TBI-239-01161.1216	PM-9820	CP WIRE	Sn	ALL PIN ①=3.3±0.3	H
TBI-239-01161.1226	PM-9820	CP WIRE	Sn	CUT PIN #5 ①=5.3±0.3	
TBI-239-01161.1236	PM-9820	CP WIRE	Sn	ALL PIN ①=4.5±0.3	
TBI-239-01161.1246	PM-9820	CP WIRE	Sn	CUT PIN #3,6 ①=4.5±0.3	此料號已不用
TBI-239-01161.1256	PM-9820	CP WIRE	Sn	CUT PIN #2,6 ①=4.5±0.3	BPT40P8P23H00
TBI-239-01161.1266	PM-9820	CP WIRE	Sn	CUT PIN #2,5,6 ①=4.5±0.3	
TBI-239-01161.1276	PM-9820	CP WIRE	Sn	CUT PIN #2,6 ①=5.3±0.3	

TOLERANCE: 0<L<=4:±0.1 4<L<=16:±0.2 16<L<=63:±0.3 UNIT : m / m SCALE 1 : 1

Finish: 1. PB wire Immersion Sn on terminal : Thickness:Sn plating,100,5 μm (200 μ inches) min,Base nickel 0.625 μm (25 μ inches) min.
2. CP wire Immersion Sn on terminal : Thickness:Sn plating,100,5 μm (200 μ inches) min.
3. Coplanarity deviation: 0.10 mm (0.004 inches) max.

REV 2