

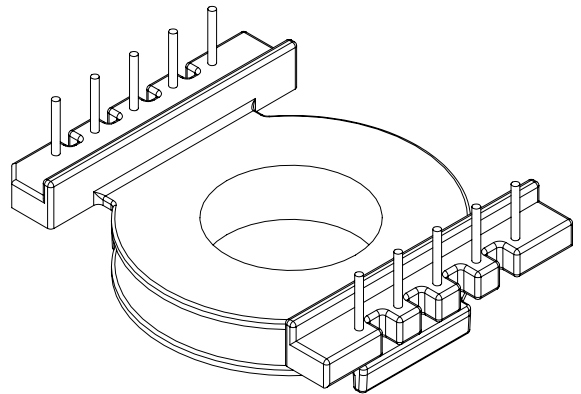
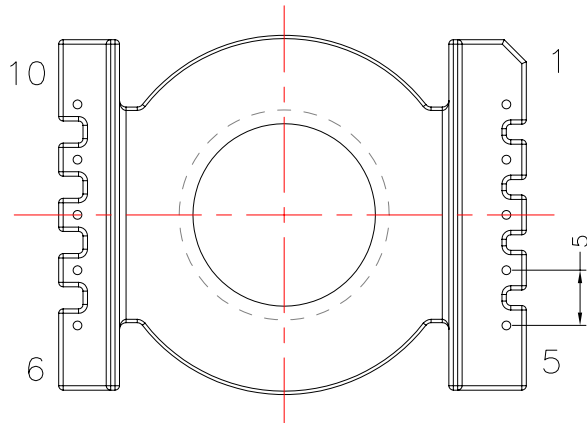
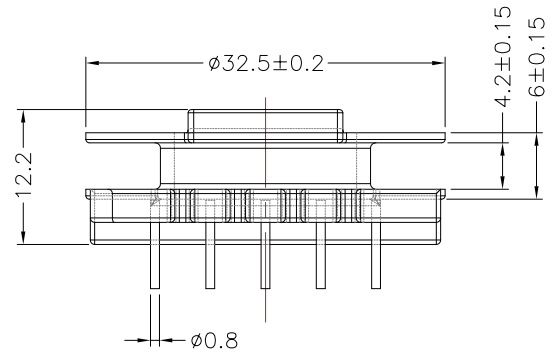
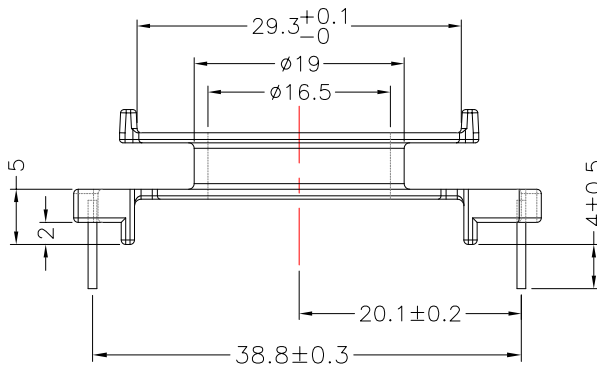
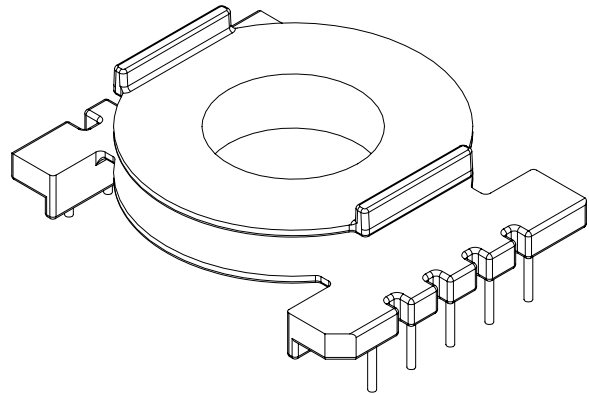
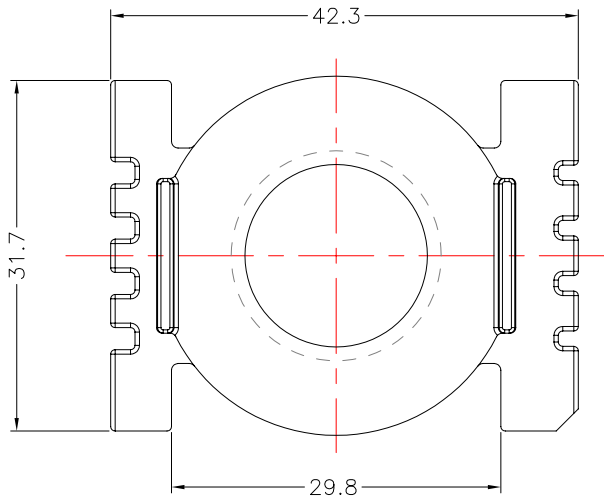


**TRANSFORMER BOBBIN  
INDUSTRIAL CO.,LTD.**

Tel : 86-769-88789999 Fax : 86-769-88789989  
http:// tbi-tw.com e-mail : tb6688@ms46.hinet.net

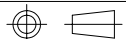
REVISIONS

| REV | SYM | DRAFTER | CHECKER  | DATE     |
|-----|-----|---------|----------|----------|
| △1  |     | X.H.GU  | G.F.YANG | 11/25/09 |
| △2  |     |         |          |          |
| △3  |     |         |          |          |



DWG NO. CC40-13.8-10P-TH-H-12

| PART NO.           | MATERIAL (BOBBIN) | MATERIAL (TERMINAL) | TERMINAL (PLATING) | PIN ALLOCATION | NOTE |
|--------------------|-------------------|---------------------|--------------------|----------------|------|
| TBI-239-01081.1206 | PM-9820           | CP WIRE             | Sn                 | ALL PIN        |      |
|                    |                   |                     |                    |                |      |
|                    |                   |                     |                    |                |      |
|                    |                   |                     |                    |                |      |
|                    |                   |                     |                    |                |      |



TOLERANCE: 0<L<=4: ±0.1 4<L<=16: ±0.2 16<L<=63: ±0.3

UNIT : m / m

SCALE 1 : 1

Finish: 1. PB wire Immersion Sn on terminal : Thickness:Sn plating,100,5 μm (200 μ inches) min,Base nickel 0.625 μm (25 μ inches) min.  
2. CP wire Immersion Sn on terminal : Thickness:Sn plating,100,5 μm (200 μ inches) min.  
3. Coplanarity deviation: 0.10 mm (0.004 inches) max.

REV 1