



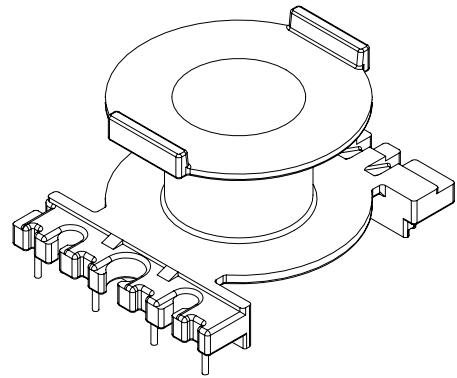
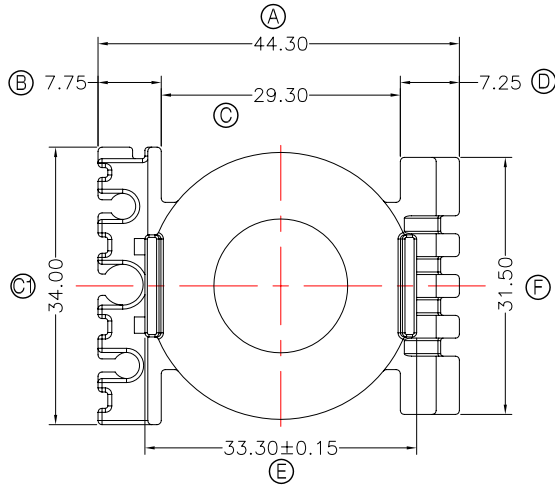
TRANSFORMER BOBBIN INDUSTRIAL CO.,LTD.

Tel : 86-769-88789999 Fax : 86-769-88789989
 http:// tbi-tw.com e-mail : tb6688@ms46.hinet.net

REVISIONS				
REV	SYM	DRAFTER	CHECKER	DATE
1		X.H.GU	G.F.YANG	10/14/16
2				
3				

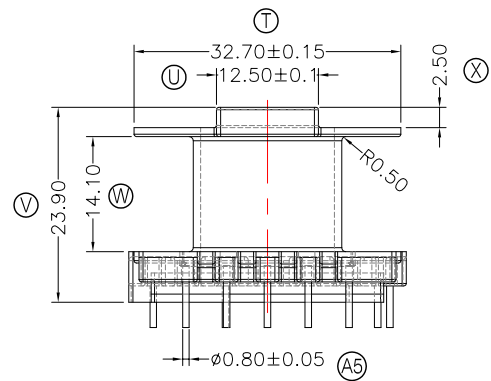
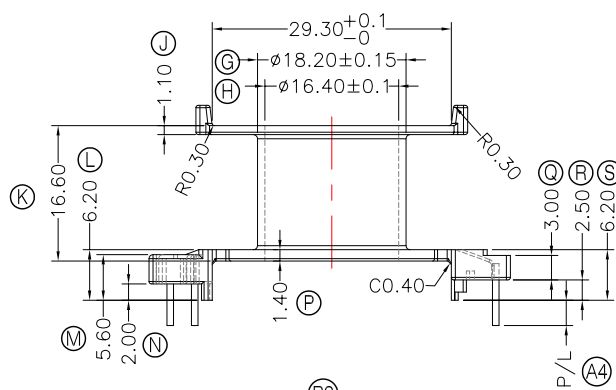
A

A



B

B

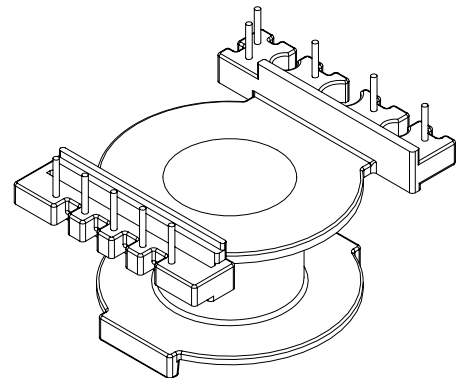
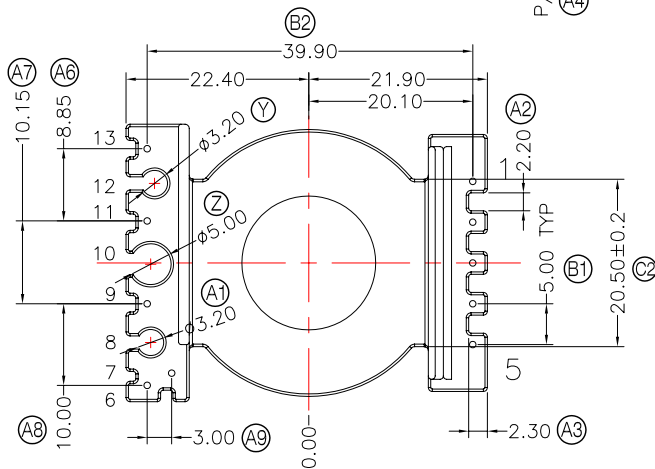


C

C

D

D



焊錫前拉力:1.0KG MIN
 焊錫後拉力:1.5KG MIN
 任意一點強度須3.0kg MIN;

E

E

DWG NO.	CC40-24.4-13P-TH-G-17				
PART NO.	MATERIAL (BOBBIN)	MATERIAL (TERMINAL)	TERMINAL (PLATING)	PIN ALLOCATION	NOTE
TBI-239-01071.1706	PM-9823	CP WIRE	Sn	ALL PIN P/L=3.1±0.2	

F

F

	TOLERANCE: 0<L<=4:±0.1 4<L<=16:±0.2 16<L<=50:±0.3 PIN PITCH±0.2	UNIT : m / m	SCALE 1 : 1
Finish:	1. PB wire Immersion Sn on terminal : Thickness:Sn plating,100%,5μm (200μ inches) min,Base nickel 0.625μm (25μ inches) min. 2. CP wire Immersion Sn on terminal : Thickness:Sn plating,100%,5μm (200μ inches) min. 3. Coplanarity deviation: 0.10 mm (0.004 inches)max.	REV	1