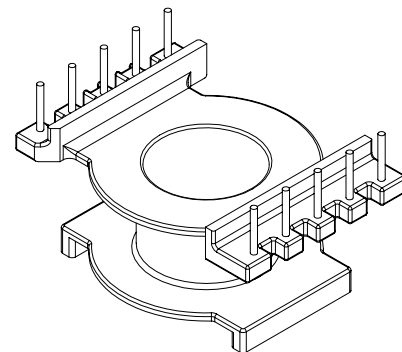
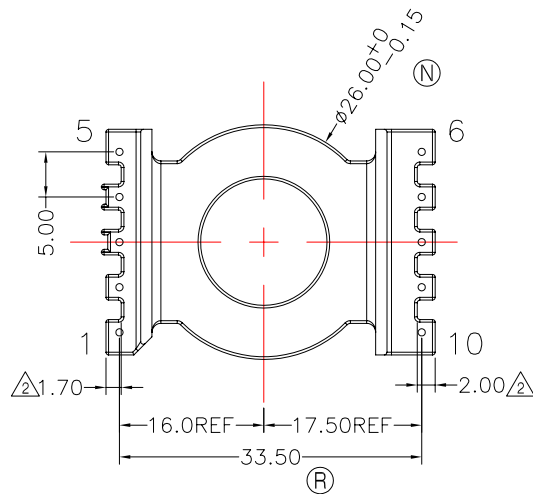
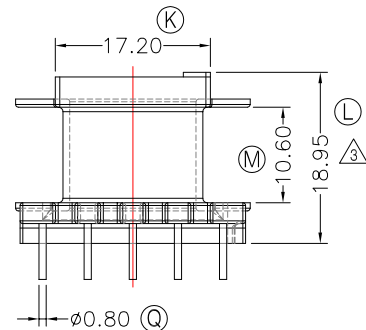
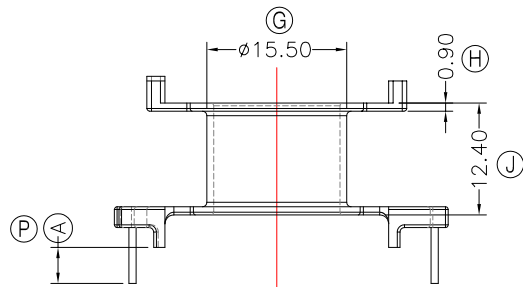
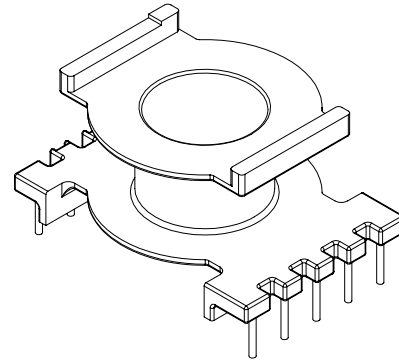
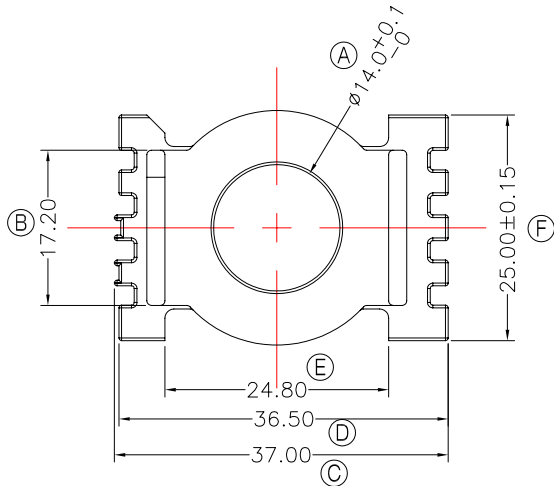




TRANSFORMER BOBBIN INDUSTRIAL CO.,LTD.

Tel : 86-769-88789999 Fax : 86-769-88789989
 http:// tbi-tw.com e-mail : tb6688@ms46.hinet.net

REVISIONS				
REV	SYM	DRAFTER	CHECKER	DATE
2		G.F.YANG	W.H.HSU	05/30/09
3		YAN.TANG	G.F.YANG	01/05/10
4		YAN.TANG	G.F.YANG	07/10/10



NOTE:

- 1.WINDING SPACE: 5.25mm*10.6mm=55.65 mm²
- 2.焊錫前拉力:1.0KG MIN,焊錫後拉力:1.5KG MIN;
- 3.任意一點強度須2.0kg MIN;

DWG NO.	CC3319-10P-TH-5.0-C-12				
PART NO.	MATERIAL (BOBBIN)	MATERIAL (TERMINAL)	TERMINAL (PLATING)	PIN ALLOCATION	NOTE
TBI-239-04031.1206	PM-9820	CP WIRE	Sn	ALL PIN (A)=4.0±0.2	S
TBI-239-04031.1216	PM-9820	CP WIRE	Sn	CUT PIN #8 (A)=4.0±0.2	H
TBI-239-04031.1226	PM-9820	CP WIRE	Sn	CUT PIN #6 (A)=3.5±0.2	
TBI-239-04031.1236	PM-9820	CP WIRE	Sn	CUT PIN #8 (A)=5.5±0.2	
TBI-239-04031.1246	PM-9820	CP WIRE	Sn	CUT PIN #8 (A)=3.0±0.2	
TBI-239-04031.1256	PM-9820	CP WIRE	Sn	ALL PIN (A)=4.5±0.2	
TBI-239-04031.1266	PM-9820	CP WIRE	Sn	CUT PIN #6 (A)=2.6±0.2	PIN要切"V"形
TBI-239-04031.1276	PM-9820	CP WIRE	Sn	CUT PIN #10 (A)=4.5±0.2	
TBI-239-04031.1286	PM-9820	CP WIRE	Sn	ALL PIN (A)=2.8±0.2	PIN要切"V"形
TBI-239-04031.1296	PM-9820	CP WIRE	Sn	ALL PIN (A)=5.5±0.2	
	TOLERANCE: 0<L<=4:±0.1 4<L<=16:±0.2 16<L<=63:±0.3			UNIT : m / m	SCALE 1 : 1
Finish:	1. PB wire Immersion Sn on terminal : Thickness:Sn plating,100,5μm (200μ inches) min,Base nickel 0.625μm (25μ inches) min. 2. CP wire Immersion Sn on terminal : Thickness:Sn plating,100,5μm (200μ inches) min. 3. Coplanarity deviation: 0.10 mm (0.004 inches) max.				REV 4