

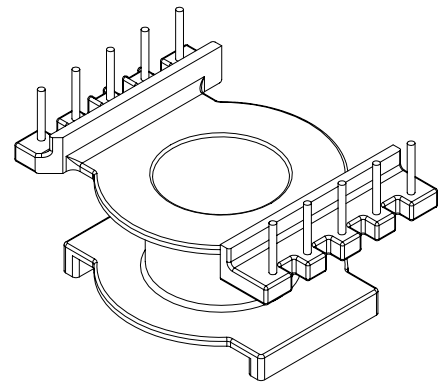
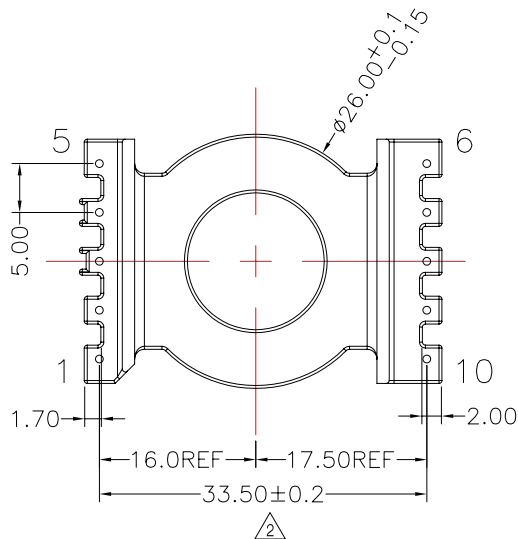
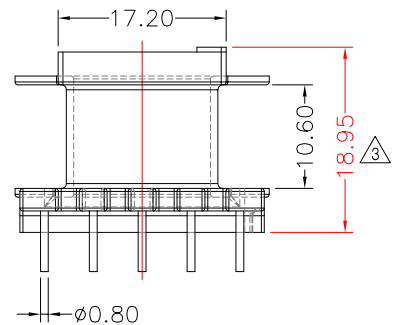
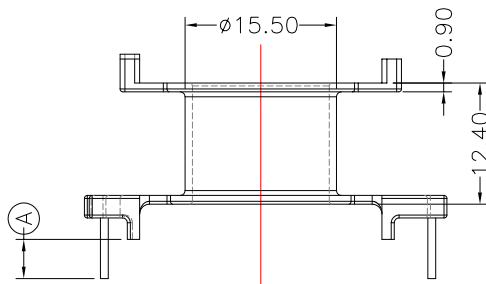
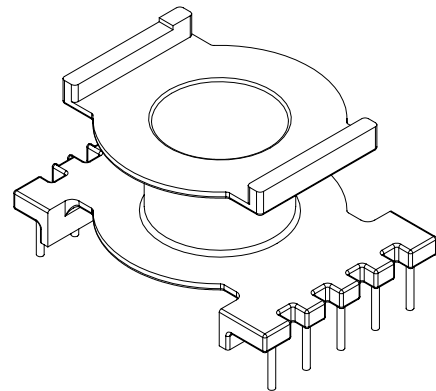
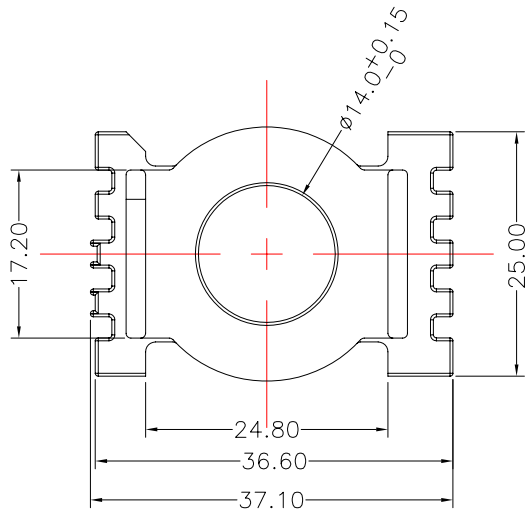


**TRANSFORMER BOBBIN
INDUSTRIAL CO.,LTD.**

Tel : 86-769-88789999 Fax : 86-769-88789989
 http:// tbi-tw.com e-mail : tb6688@ms46.hinet.net

REVISIONS

REV	SYM	DRAFTER	CHECKER	DATE
①		JIE.L	G.F.YANG	11/03/09
②		YAN.TANG	G.F.YANG	12/16/09
③		YAN.TANG	G.F.YANG	01/05/10



NOTE:

1. WINDING SPACE: 5.25mm*10.6mm=55.65 mm²
2. PIN TENSION LOAD: 1.5KG MIN

DWG NO.	CC3319-10P-TH-5.0-C-11				
PART NO.	MATERIAL (BOBBIN)	MATERIAL (TERMINAL)	TERMINAL (PLATING)	PIN ALLOCATION	NOTE
TBI-239-04031.1106	PM-9630	CP WIRE	Sn	ALL PIN (A) = 4.0±0.3	
TBI-239-04031.1116	PM-9630	CP WIRE	Sn	CUT PIN #8 (A) = 4.0±0.3	
TBI-239-04031.1126	PM-9630	CP WIRE	Sn	CUT PIN #6 (A) = 3.5±0.3	
TBI-239-04031.1136	PM-9630	CP WIRE	Sn	CUT PIN #8 (A) = 5.5±0.2	
TBI-239-04031.1146	PM-9630	CP WIRE	Sn	CUT PIN #8 (A) = 3.2±0.2	
	TOLERANCE: 0<L<=4:±0.1 4<L<=16:±0.2 16<L<=63:±0.3			UNIT : m / m	SCALE 1 : 1

Finish: 1. PB wire Immersion Sn on terminal : Thickness:Sn plating,100,5 μm (200 μ inches) min,Base nickel 0.625 μm (25 μ inches) min.
 2. CP wire Immersion Sn on terminal : Thickness:Sn plating,100,5 μm (200 μ inches) min.
 3. Coplanarity deviation: 0.10 mm (0.004 inches) max.

REV 3