

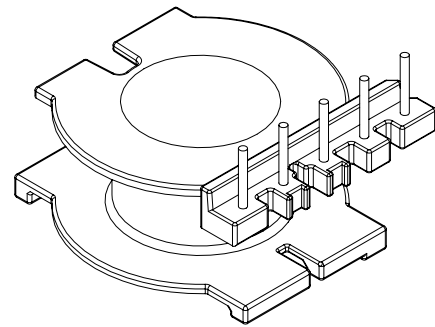
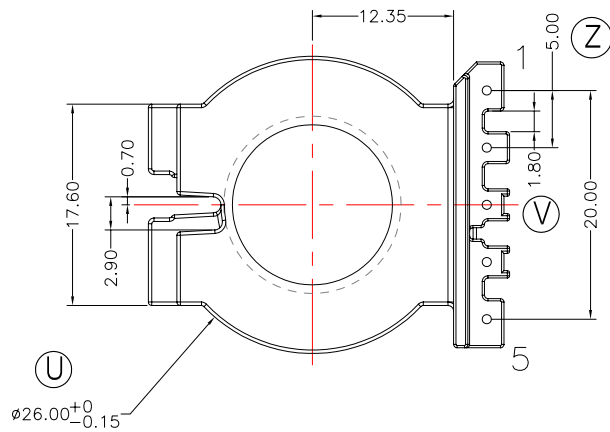
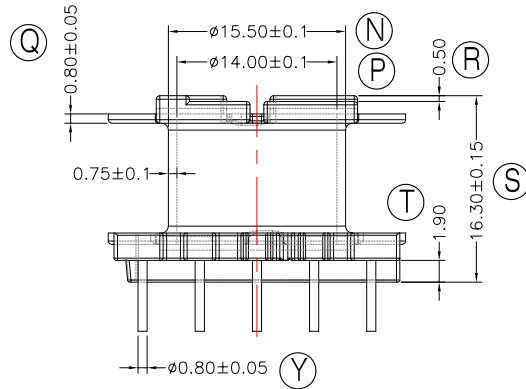
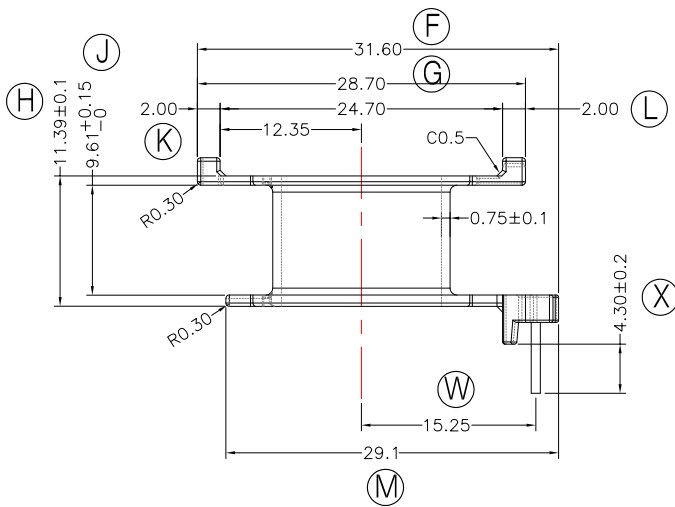
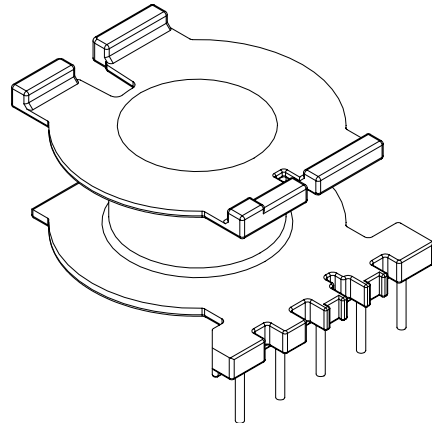
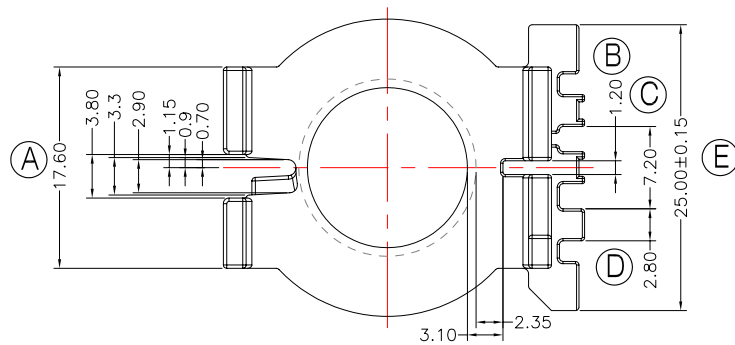


**TRANSFORMER BOBBIN
INDUSTRIAL CO.,LTD.**

Tel : 86-769-88789999 Fax : 86-769-88789999
http:// tbi-tw.com e-mail : tb6688@ms46.hinet.net

REVISIONS

REV	SYM	DRAFTER	CHECKER	DATE
1		YAN.TANG	G.F.YANG	05/11/10
2				
3				



PIN拉力須焊前1.5Kg MIN焊后2.0Kg MIN.

DWG NO. CC3318-5P-TH-5.0-B0-15

PART NO.	MATERIAL (BOBBIN)	MATERIAL (TERMINAL)	TERMINAL (PLATING)	PIN ALLOCATION	NOTE
TBI-239-04201.1506	CPJ-8800	CP WIRE	Sn	ALL PIN	
TBI-239-04201.1516	CPJ-8800	CP WIRE	Sn	CUT PIN #3	

TOLERANCE: 0<L<=4:±0.1 4<L<=16:±0.2 16<L:±0.3 PIN PITCH:±0.2

UNIT : m / m

SCALE 1 : 1

Finish: 1. PB wire Immersion Sn on terminal : Thickness:Sn plating,100,5 μm (200 μ inches) min,Base nickel 0.625 μm (25 μ inches) min.
2. CP wire Immersion Sn on terminal : Thickness:Sn plating,100,5 μm (200 μ inches) min.
3. Coplanarity deviation: 0.10 mm (0.004 inches) max.

REV 1