

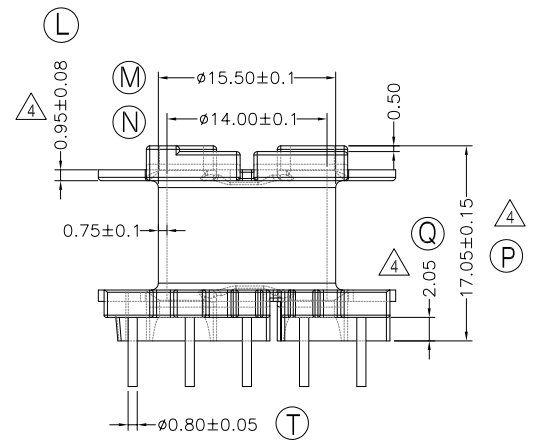
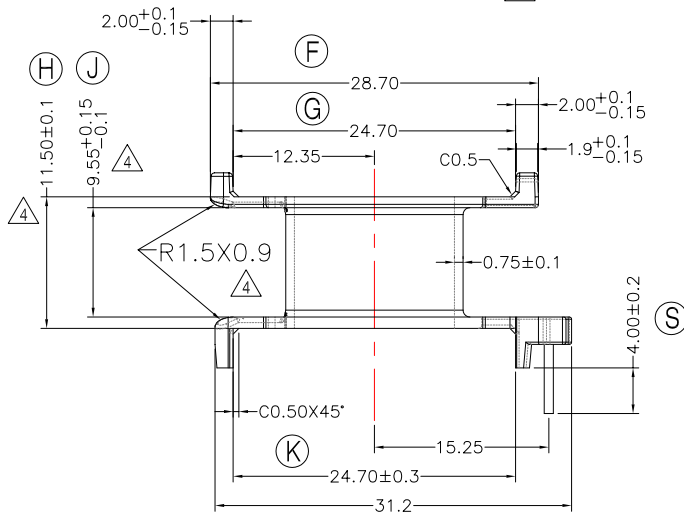
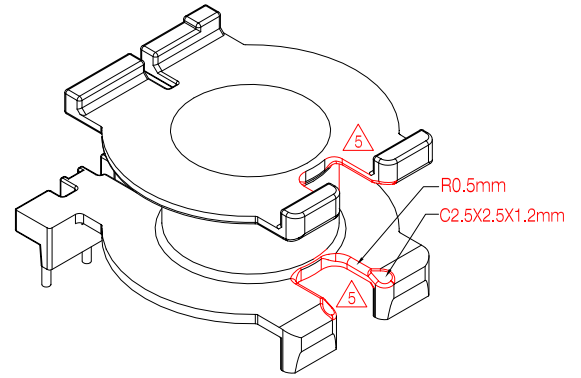
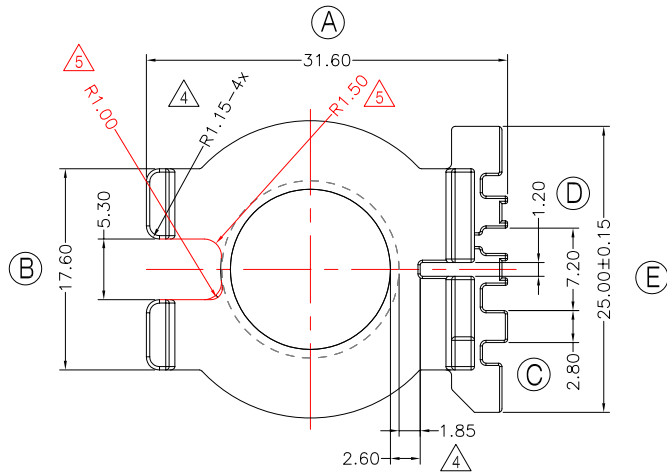


TRANSFORMER BOBBIN
INDUSTRIAL CO.,LTD.

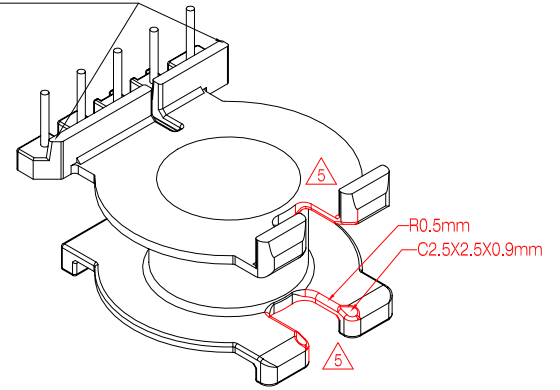
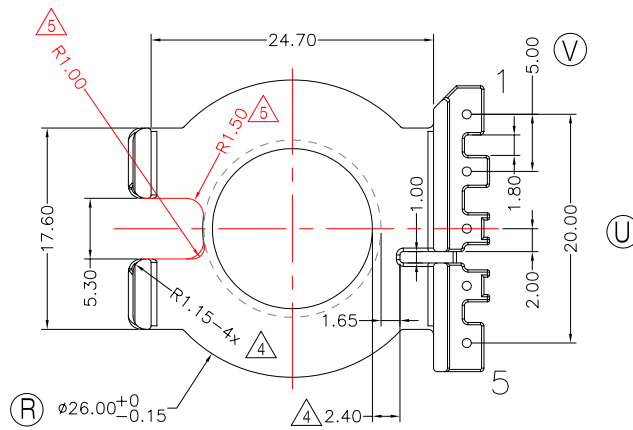
Tel : 86-769-88789999 Fax : 86-769-88789989
http:// tbi-tw.com e-mail : tb6688@ms46.hinet.net

REVISIONS

REV	SYM	DRAFTER	CHECKER	DATE
3		X.H.GU	G.F.YANG	05/30/12
4		X.H.GU	G.F.YANG	11/19/12
5		X.H.GU	G.F.YANG	04/26/13



此A,B點強度1.0Kg Min.



注: 1.任意一點強度須1.5kg MIN;(除了特別指出外)
2.PIN拉力須焊前1.5Kg MIN; 焊后2.0Kg MIN.

DWG NO.	CC3318-5P-TH-5.0-F-15				
PART NO.	MATERIAL (BOBBIN)	MATERIAL (TERMINAL)	TERMINAL (PLATING)	PIN ALLOCATION	NOTE
TBI-239-04061.1506	CPJ-8800	CP WIRE	Sn	ALL PIN	
TBI-239-04061.1516	CPJ-8800	CP WIRE	Sn	CUT PIN #3	H
TOLERANCE: 0<L<=4:±0.1 4<L<=16:±0.2 16<L:±0.3 PIN PITCH:±0.2				UNIT : m / m	SCALE 1 : 1

Finish: 1. PB wire Immersion Sn on terminal : Thickness:Sn plating,100,5 μm (200 μ inches) min,Base nickel 0.625 μm (25 μ inches) min.
2. CP wire Immersion Sn on terminal : Thickness:Sn plating,100,5 μm (200 μ inches) min.
3. Coplanarity deviation: 0.10 mm (0.004 inches) max.

REV 5