

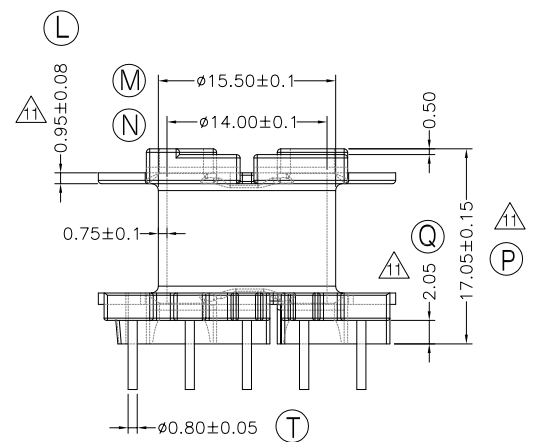
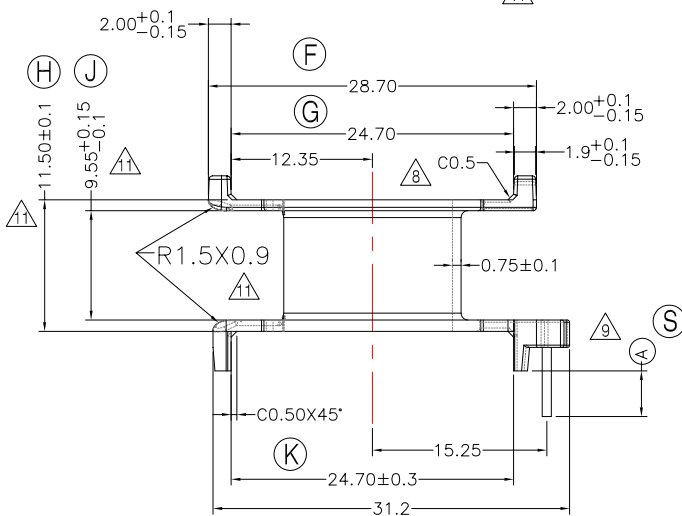
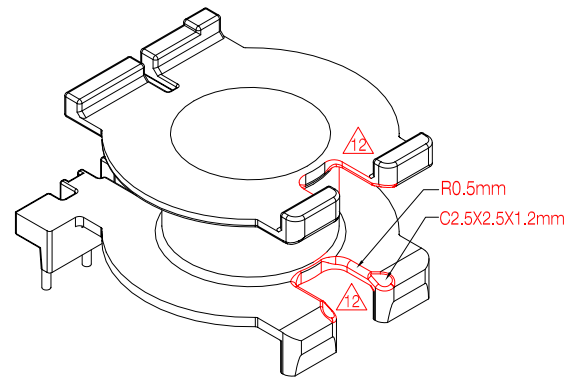
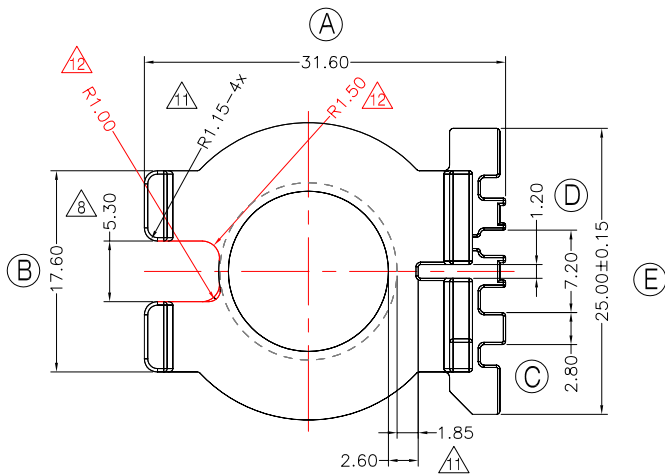


TRANSFORMER BOBBIN
INDUSTRIAL CO.,LTD.

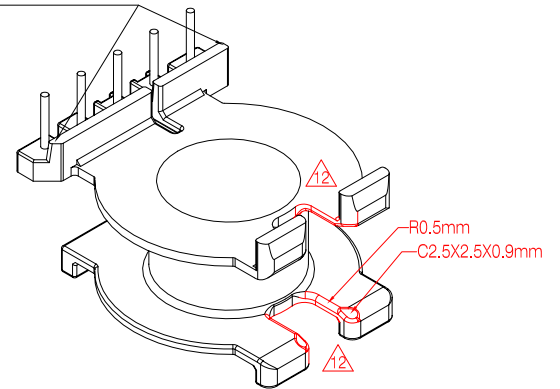
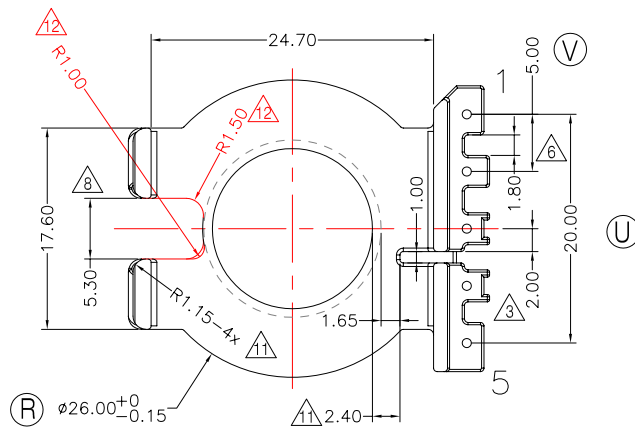
Tel : 86-769-88789999 Fax : 86-769-88789999
http:// tbi-tw.com e-mail : tb6688@ms46.hinet.net

REVISIONS

REV	SYM	DRAFTER	CHECKER	DATE
△10		X.H.GU	G.F.YANG	05/30/12
△11		X.H.GU	G.F.YANG	11/19/12
△12		X.H.GU	G.F.YANG	05/16/13



此A,B點強度1.0Kg Min.



注: 1.任意一點強度須1.5kg MIN;(除了特別指出外)
2.PIN拉力須焊前1.5Kg MIN; 焊后2.0Kg MIN.

DWG NO. CC3318-5P-TH-5.0-F-12

PART NO.	MATERIAL (BOBBIN)	MATERIAL (TERMINAL)	TERMINAL (PLATING)	PIN ALLOCATION	NOTE
TBI-239-04061.1206	PM-9820	CP WIRE	Sn	ALL PIN (A)=4.0±0.2	
TBI-239-04061.1216	PM-9820	CP WIRE	Sn	CUT PIN #3 (A)=4.0±0.2	H
TBI-239-04061.1226	PM-9820	CP WIRE	Sn	ALL PIN (A)=3.5±0.2	外發刀模

TOLERANCE: 0<L<=4:±0.1 4<L<=16:±0.2 16<L:±0.3 PIN PITCH:±0.2

UNIT : m / m

SCALE 1 : 1

Finish: 1. PB wire Immersion Sn on terminal : Thickness:Sn plating,100,5 μm (200 μ inches) min,Base nickel 0.625 μm (25 μ inches) min.
2. CP wire Immersion Sn on terminal : Thickness:Sn plating,100,5 μm (200 μ inches) min.
3. Coplanarity deviation: 0.10 mm (0.004 inches) max.

REV 12