

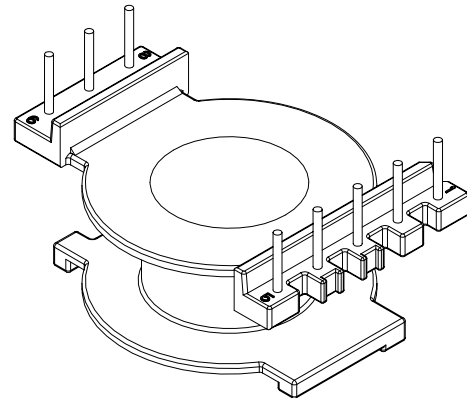
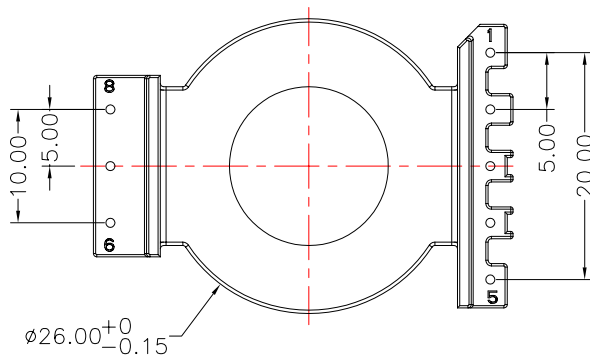
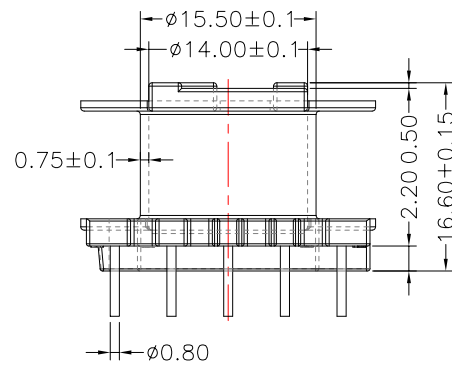
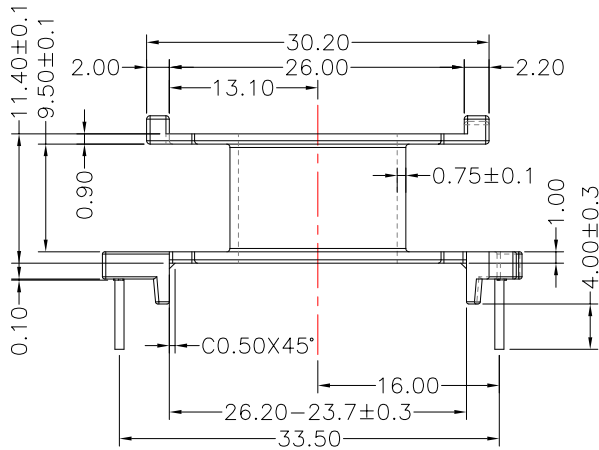
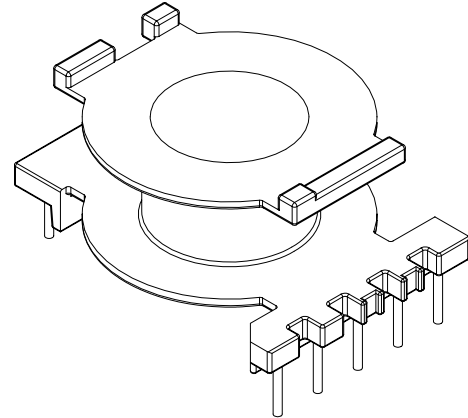
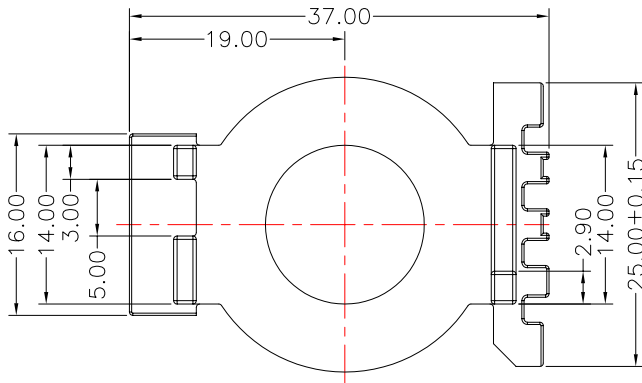


**TRANSFORMER BOBBIN
INDUSTRIAL CO.,LTD.**

Tel : 86-769-88789999 Fax : 86-769-88789989
http:// tbi-tw.com e-mail : tb6688@ms46.hinet.net

REVISIONS

REV	SYM	DRAFTER	CHECKER	DATE
①		S.Y.TANG	G.F.YANG	07/18/08
②				
③				



PIN拉力須焊前1.5Kg MIN焊后2.0Kg MIN.

DWG NO.	CC3318-8P-TH-5.0-B-12				
PART NO.	MATERIAL (BOBBIN)	MATERIAL (TERMINAL)	TERMINAL (PLATING)	PIN ALLOCATION	NOTE
TBI-239-04021.1206	PM-9820	C.P WIRE	Sn	ALL PIN	
TBI-239-04021.1216	PM-9820	C.P WIRE	Sn	Cut pin #6	
TOLERANCE: 0<L≤4:±0.1 4<L≤16:±0.2 16<L:±0.3 PIN PITCH:±0.2			UNIT : m / m		SCALE 3 : 2

Finish: 1. Pb wire Immersion Sn on terminal : Thickness:Sn plating,100,5 μ m (200 μ inches) min,Base nickel 0.625 μ m (25 μ inches) min.
2. CP wire Immersion Sn on terminal : Thickness:Sn plating,100,5 μ m (200 μ inches) min.
3. Coplanarity deviation: 0.10 mm (0.004 inches) max.

REV 1