

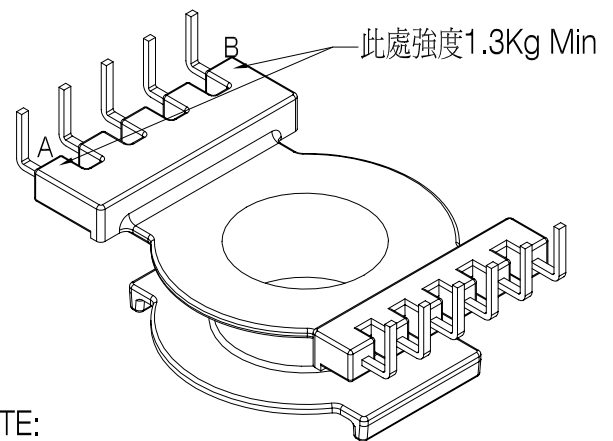
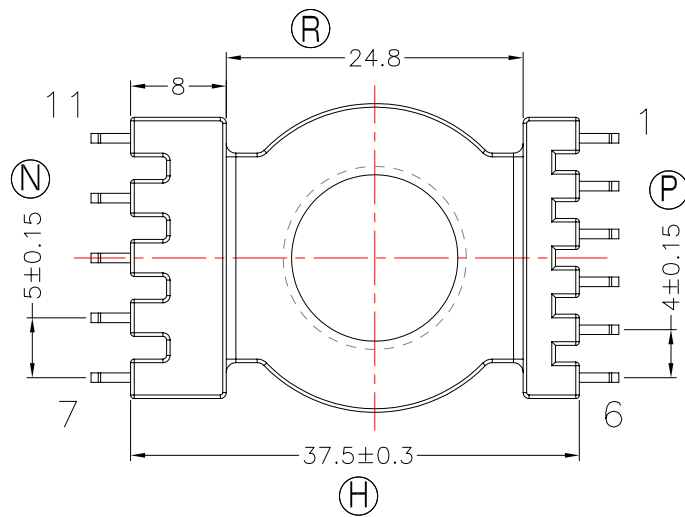
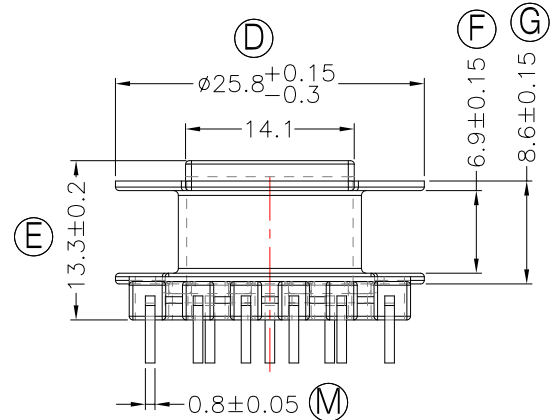
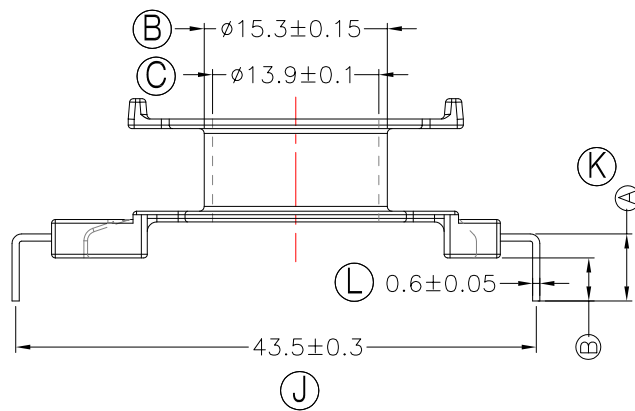
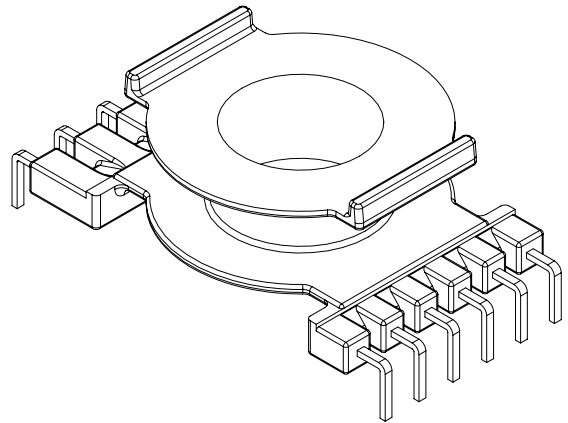
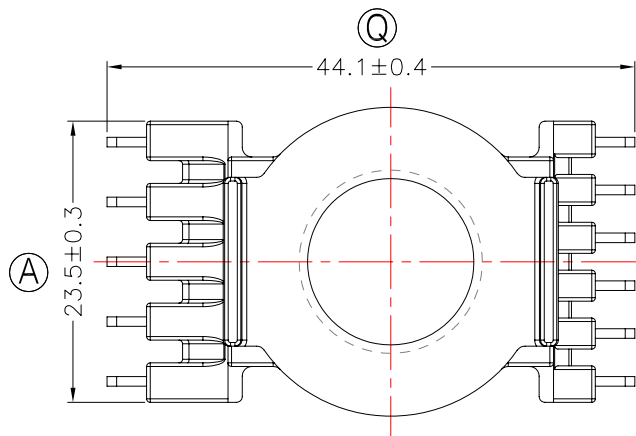


TRANSFORMER BOBBIN
INDUSTRIAL CO.,LTD.

Tel : 86-769-88789999 Fax : 86-769-88789989
http:// tbi-tw.com e-mail : tb6688@ms46.hinet.net

REVISIONS

REV	SYM	DRAFTER	CHECKER	DATE
1		X.H.GU	G.F.YANG	09/03/14
2				
3				



NOTE:
WINDING SPACE: $6.9 \times 5.25 \text{mm} = 36.225 \text{mm}^2$
強度任意一點1.5KgMin(除特別指出A,B點1.3KgMin外)

DWG NO.	CC3315-11P-THT-5.0-8E-12				
PART NO.	MATERIAL (BOBBIN)	MATERIAL (TERMINAL)	TERMINAL (PLATING)	PIN ALLOCATION	NOTE
TBI-239-04581.1206	PM-9820	CP WIRE	Sn	ALL PIN (A)=5.6±0.3 (B)=3.6±0.3	S
TBI-239-04581.1216	PM-9820	CP WIRE	Sn	ALL PIN (A)=7.0±0.3 (B)=5.0±0.3	
TOLERANCE: 0<L<=4:±0.1 4<L<=16:±0.2 16<L<=63:±0.3					
				UNIT : m / m	SCALE 1 : 1

Finish: 1. PB wire Immersion Sn on terminal : Thickness:Sn plating,100,5 μm (200 μ inches) min,Base nickel 0.625 μm (25 μ inches) min.
2. CP wire Immersion Sn on terminal : Thickness:Sn plating,100,5 μm (200 μ inches) min.
3. Coplanarity deviation: 0.10 mm (0.004 inches) max.

REV 1