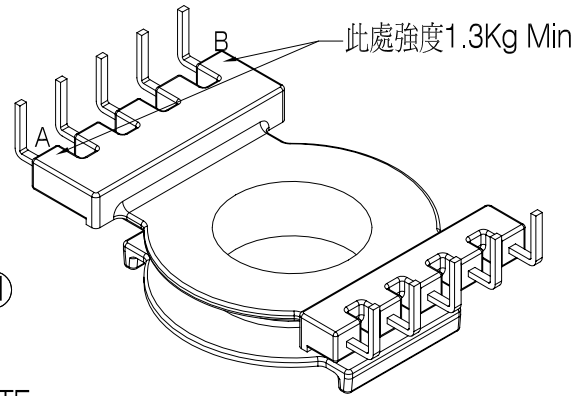
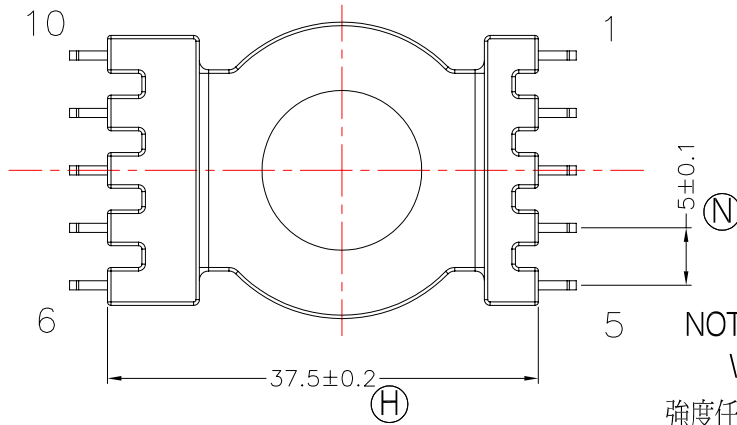
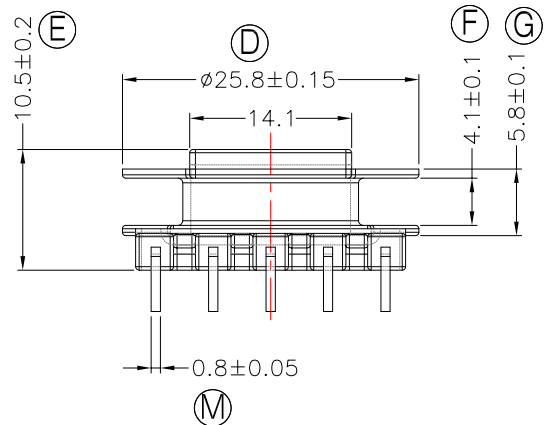
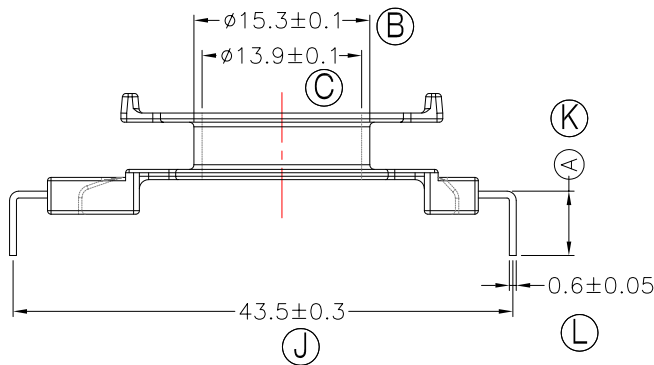
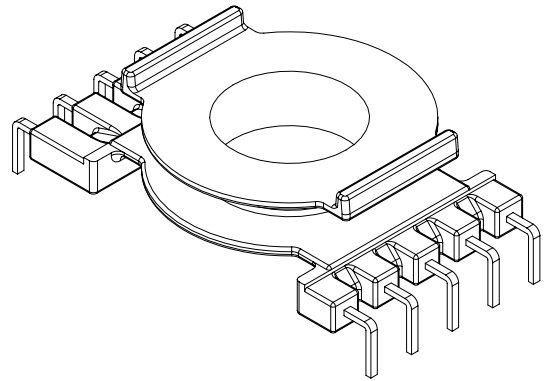
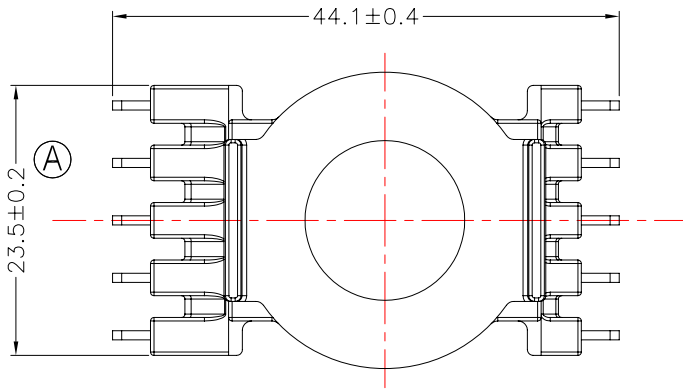




TRANSFORMER BOBBIN
INDUSTRIAL CO.,LTD.

Tel : 86-769-88789999 Fax : 86-769-88789989
http:// tbi-tw.com e-mail : tb6688@ms46.hinet.net

REVISIONS				
REV	SYM	DRAFTER	CHECKER	DATE
①		YAN.TANG	G.F.YANG	03/04/10
②				
③				



NOTE:
WINDING SPACE: $4.1 \times 5.25 \text{mm} = 21.525 \text{mm}^2$
強度任意一點1.8KgMin(除特別指出A,B點1.3KgMin外)

DWG NO.	CC33-12-10P-THT-5.0-1C-12					
PART NO.	MATERIAL (BOBBIN)	MATERIAL (TERMINAL)	TERMINAL (PLATING)	PIN ALLOCATION	NOTE	
TBI-239-04131.1206	PM-9820	CP WIRE	Sn	ALL PIN ①=5.6±0.3	S	
TBI-239-04131.1216	PM-9820	CP WIRE	Sn	CUT PIN#9 ①=5.6±0.3	H	
TBI-239-04131.1226	PM-9820	CP WIRE	Sn	CUT PIN#7 ①=5.6±0.3		
TBI-239-04131.1236	PM-9820	CP WIRE	Sn	CUT PIN#7 ①=5.0±0.3		
TBI-239-04131.1246	PM-9820	CP WIRE	Sn	CUT PIN#2,3,6,8,9 ①=5.6±0.3		
TBI-239-04131.1256	PM-9820	CP WIRE	Sn	CUT PIN#8 ①=5.0±0.3	F	
TBI-239-04131.1266	PM-9820	CP WIRE	Sn	CUT PIN#8 ①=5.6±0.3		
TBI-239-04131.1276	PM-9820	CP WIRE	Sn	CUT PIN#8 ①=6.3±0.3		
		TOLERANCE: $0 < L \leq 4: \pm 0.1$ $4 < L \leq 16: \pm 0.2$ $16 < L \leq 63: \pm 0.3$		UNIT : m / m	SCALE 1 : 1	
Finish: 1. PB wire Immersion Sn on terminal : Thickness:Sn plating,100,5 μm (200 μ inches) min,Base nickel 0.625 μm (25 μ inches) min. 2. CP wire Immersion Sn on terminal : Thickness:Sn plating,100,5 μm (200 μ inches) min. 3. Coplanarity deviation: 0.10 mm (0.004 inches) max.					REV	1