

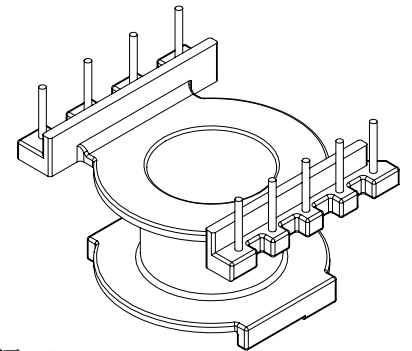
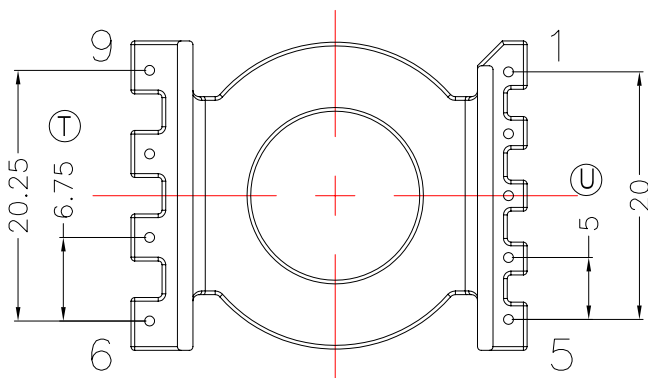
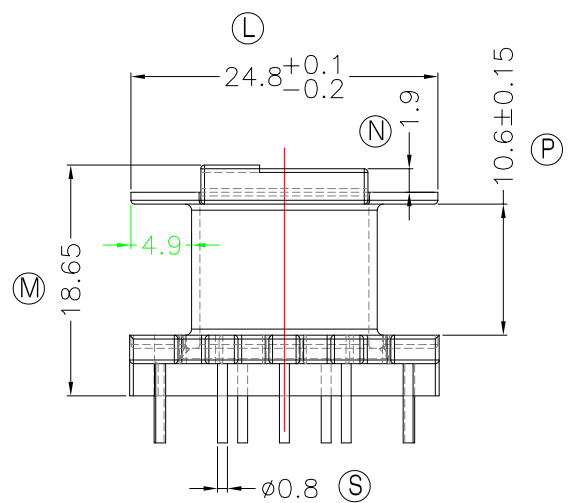
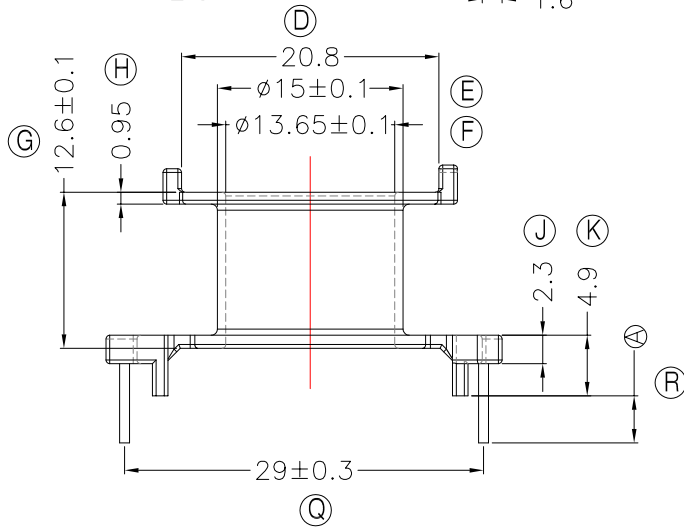
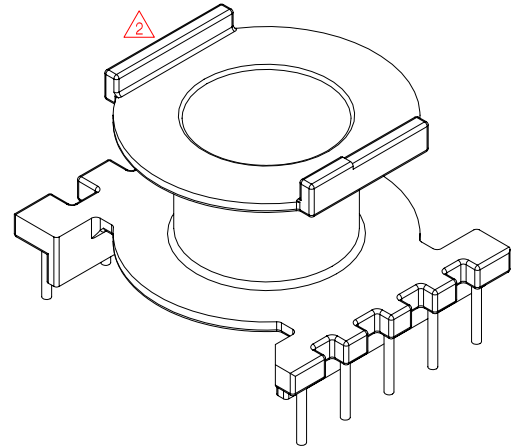
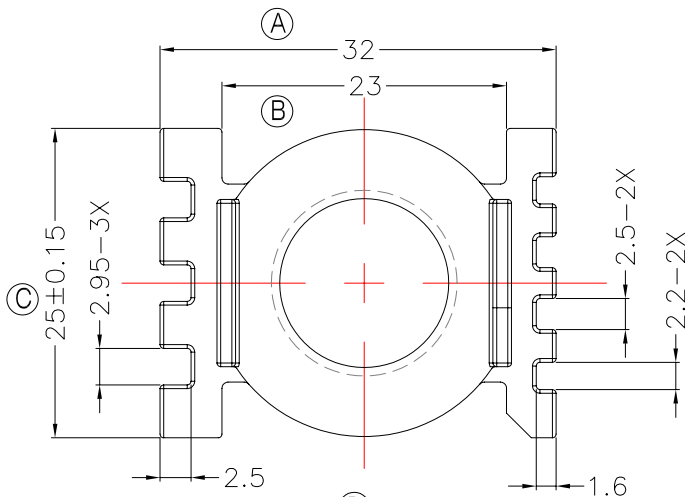


TRANSFORMER BOBBIN  
INDUSTRIAL CO.,LTD.

Tel : 86-769-88789999 Fax : 86-769-88789989  
http:// tbi-tw.com e-mail : tb6688@ms46.hinet.net

REVISIONS

REV	SYM	DRAFTER	CHECKER	DATE
①		X.H.GU	G.F.YANG	04/01/10
②		X.H.GU	G.F.YANG	08/12/11
③				



NOTE:

- 1.任意一點強度須1.5kg MIN;
- 2.焊錫前拉力:1.0KG MIN; 焊錫後拉力:1.5KG MIN;
- 3.WINDING SPACE: 10.6mm\*4.9mm=52.43mm<sup>2</sup>  
與TBI-239-02021.91C(CC30-16.6-9P-CASE-B-91)配套使用;

DWG NO. CC30-19-9P-TH-A4-12

PART NO.	MATERIAL (BOBBIN)	MATERIAL (TERMINAL)	TERMINAL (PLATING)	PIN ALLOCATION	NOTE
TBI-239-02141.1206	PM-9820	CP WIRE	Sn	ALL PIN ①=3.8±0.2	S
TBI-239-02141.1216	PM-9820	CP WIRE	Sn	ALL PIN ①=5.0±0.2	H
TBI-239-02141.1226	PM-9820	CP WIRE	Sn	ALL PIN ①=4.5±0.2	
TBI-239-02141.1236	PM-9820	CP WIRE	Sn	ALL PIN ①=3.0±0.2	

TOLERANCE: 0<L<=4:±0.1 4<L<=16:±0.2 16<L<=63:±0.3

UNIT : m / m

SCALE 1 : 1

Finish: 1. PB wire Immersion Sn on terminal : Thickness:Sn plating,100,5 μm (200 μ inches) min,Base nickel 0.625 μm (25 μ inches) min.  
2. CP wire Immersion Sn on terminal : Thickness:Sn plating,100,5 μm (200 μ inches) min.  
3. Coplanarity deviation: 0.10 mm (0.004 inches) max.

REV 2