

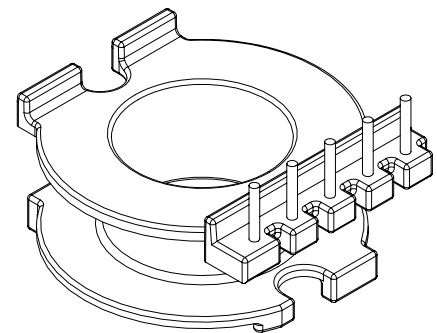
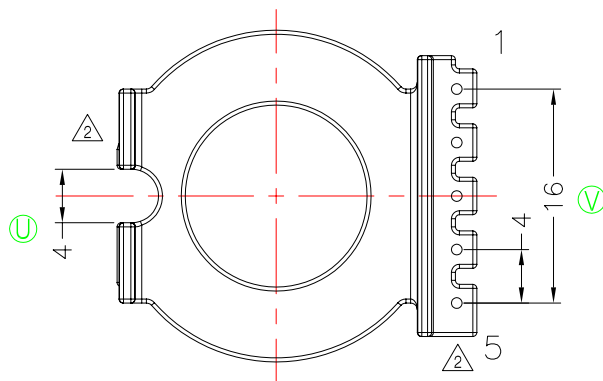
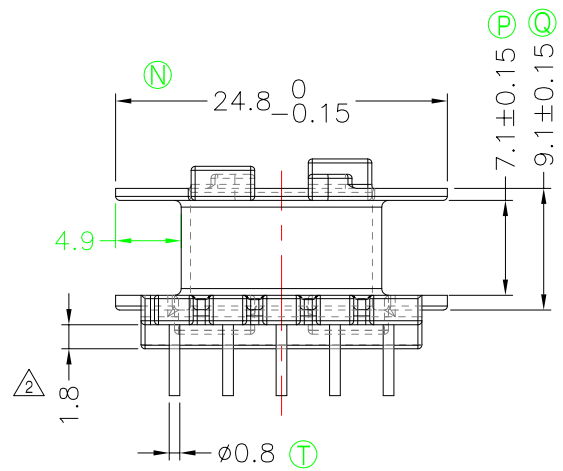
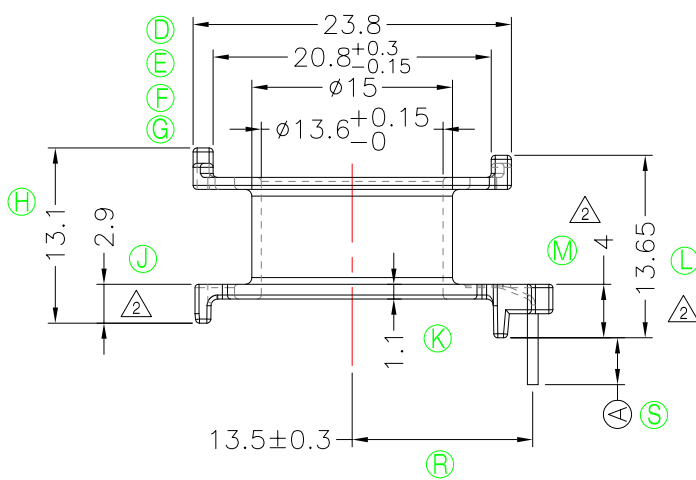
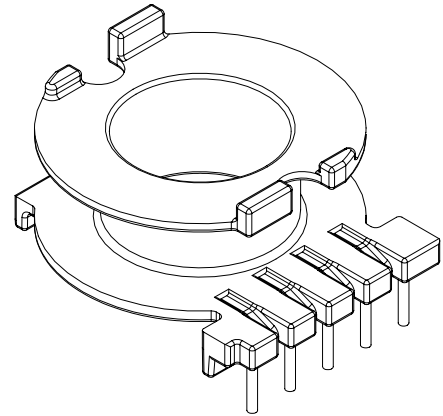
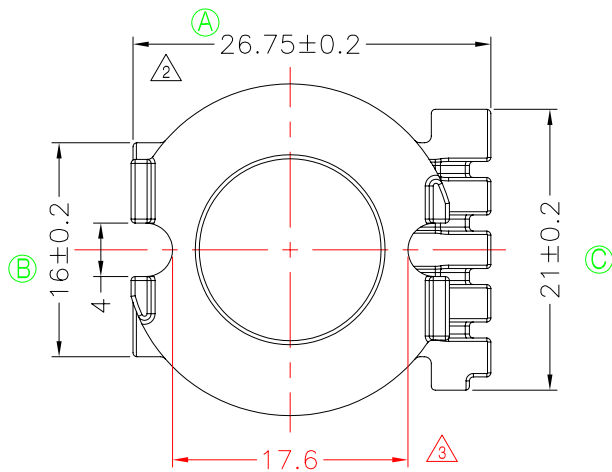


**TRANSFORMER BOBBIN  
INDUSTRIAL CO.,LTD.**

Tel : 86-769-88789999 Fax : 86-769-88789999  
 http:// tbi-tw.com e-mail : tb6688@ms46.hinet.net

REVISIONS

REV	SYM	DRAFTER	CHECKER	DATE
△1		X.H.GU	G.F.YANG	10/13/09
△2		X.H.GU	G.F.YANG	12/30/09
△3		X.H.GU	G.F.YANG	01/21/10



**NOTE:**  
**WINDING SPACE: 7.1mm\*4.9mm=34.79mm<sup>2</sup>**

DWG NO. CC30-15.3-5P-TH-F-12

PART NO.	MATERIAL (BOBBIN)	MATERIAL (TERMINAL)	TERMINAL (PLATING)	PIN ALLOCATION	NOTE
TBI-239-02061.1206	PM-9820	CP WIRE	Sn	ALL PIN (A)=3.5±0.2	S
TBI-239-02061.1216	PM-9820	CP WIRE	Sn	CUT PIN #3 (A)=3.5±0.2	H
TBI-239-02061.1226	PM-9820	CP WIRE	Sn	ALL PIN (A)=4.5±0.2	
TBI-239-02061.1236	PM-9820	CP WIRE	Sn	CUT PIN#2 (A)=4.5±0.2	
TBI-239-02061.1246	PM-9820	CP WIRE	Sn	ALL PIN (A)=3.0±0.2	刀模制二B

TOLERANCE: 0<L<=4: ±0.1 4<L<=16: ±0.2 16<L<=63: ±0.3

UNIT : m / m

SCALE 1 : 1

Finish: 1. PB wire Immersion Sn on terminal : Thickness:Sn plating,100,5 μm (200 μ inches) min,Base nickel 0.625 μm (25 μ inches) min.  
 2. CP wire Immersion Sn on terminal : Thickness:Sn plating,100,5 μm (200 μ inches) min.  
 3. Coplanarity deviation: 0.10 mm (0.004 inches) max.

REV 3