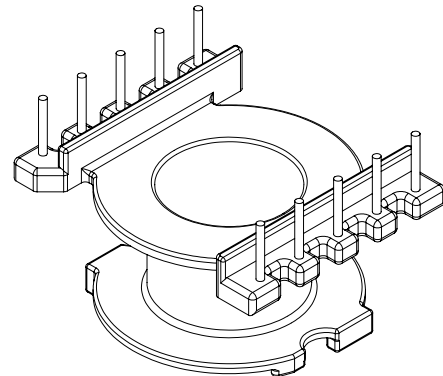
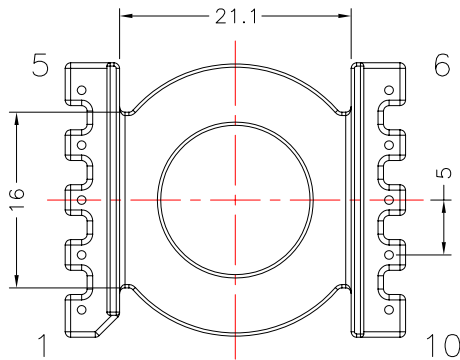
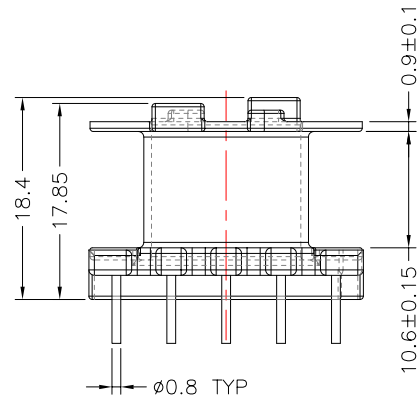
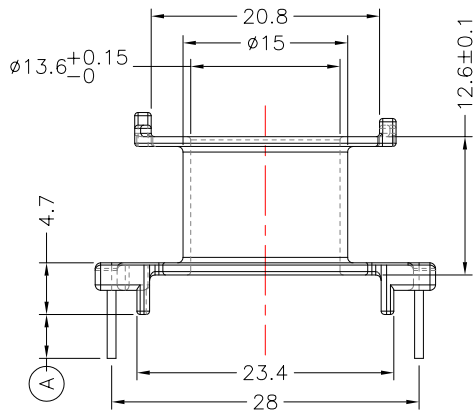
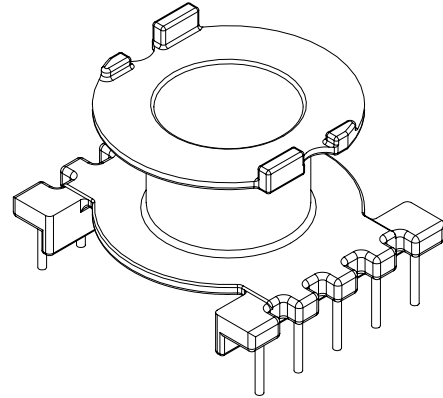
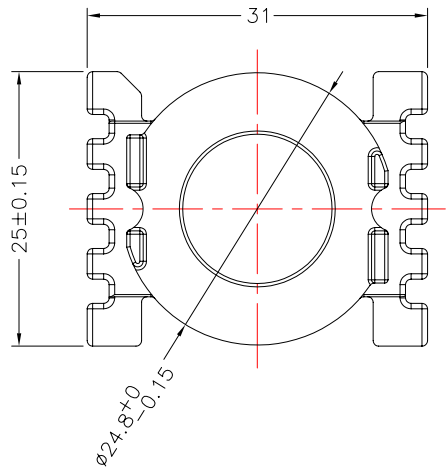




**TRANSFORMER BOBBIN
INDUSTRIAL CO.,LTD.**

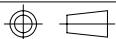
Tel : 86-769-88789999 Fax : 86-769-88789989
http:// tbi-tw.com e-mail : tb6688@ms46.hinet.net

REVISIONS				
REV	SYM	DRAFTER	CHECKER	DATE
①		X.X.YUAN	G.F.YANG	12/01/15
②				
③				



NOTE:
1. 焊錫前拉力:1.0KG MIN,焊錫後拉力:1.5KG MIN

DWG NO.	CC30-19-10P-TH-5.0-E-11					
PART NO.	MATERIAL (BOBBIN)	MATERIAL (TERMINAL)	TERMINAL (PLATING)	PIN ALLOCATION	NOTE	
TBI-239-02051.1106	PM-9630	CP WIRE	Sn	ALL PIN (A)=4.0±0.2		
TBI-239-02051.1116	PM-9630	CP WIRE	Sn	ALL PIN (A)=3.5±0.2	52GTBCC30192	H



TOLERANCE: 0<L<=4: ±0.1 4<L<=16: ±0.2 16<L<=63: ±0.3

UNIT : m / m

SCALE 3 : 2

Finish: 1. PB wire Immersion Sn on terminal : Thickness:Sn plating,100,5 μm (200 μ inches) min,Base nickel 0.625 μm (25 μ inches) min.
2. CP wire Immersion Sn on terminal : Thickness:Sn plating,100,5 μm (200 μ inches) min.
3. Coplanarity deviation: 0.10 mm (0.004 inches) max.

REV 1