

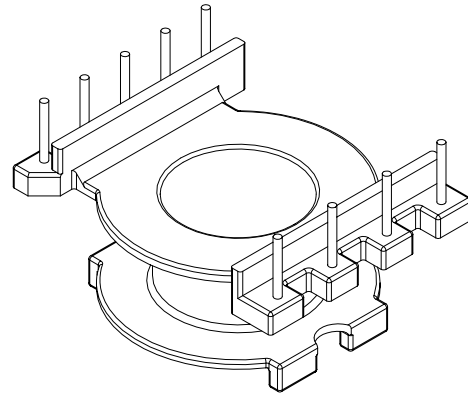
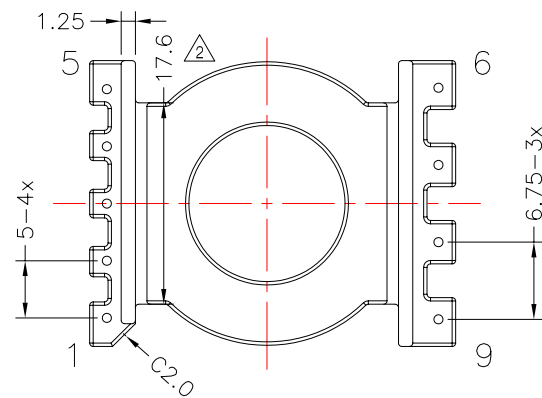
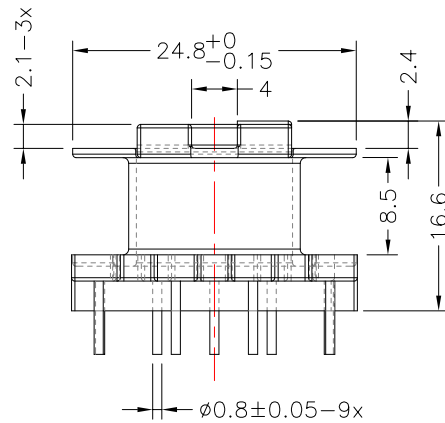
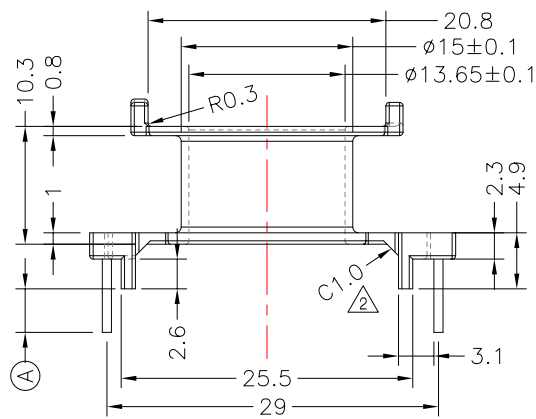
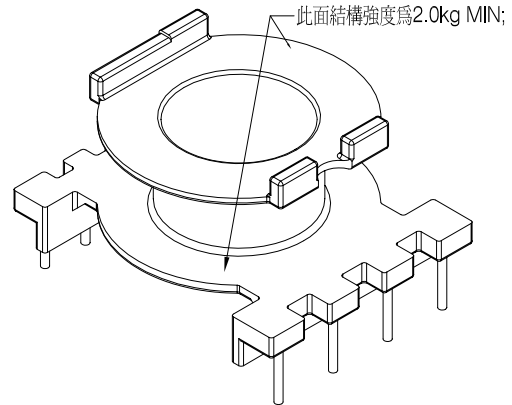
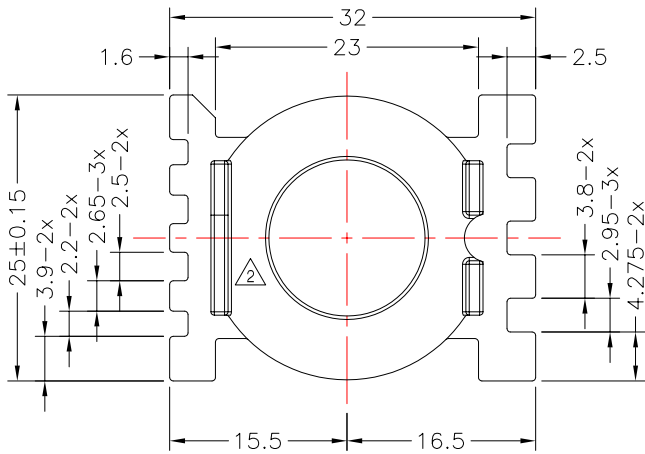


**TRANSFORMER BOBBIN INDUSTRIAL CO.,LTD.**

Tel : 86-769-88789999 Fax : 86-769-88789999  
 http:// tbi-tw.com e-mail : tb6688@ms46.hinet.net

REVISIONS

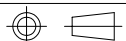
REV	SYM	DRAFTER	CHECKER	DATE
①		G.F.YANG	W.H.HSU	11/12/08
②		S.Y.TANG	G.F.YANG	04/27/09
③				



1.焊錫前拉力:1.0KG MIN,焊錫後拉力:2.0KG MIN

DWG NO. CC30-16.6-9P-TH-B-12

PART NO.	MATERIAL (BOBBIN)	MATERIAL (TERMINAL)	TERMINAL (PLATING)	PIN ALLOCATION	NOTE
TBI-239-02021.1206	PM-9820	CP WIRE	Sn	ALL PIN ④ = 3.8±0.2	
TBI-239-02021.1216	PM-9820	CP WIRE	Sn	CUT PIN #4 ④ = 3.8±0.2	
TBI-239-02021.1226	PM-9820	CP WIRE	Sn	CUT PIN #2 ④ = 4.5±0.2	
TBI-239-02021.1236	PM-9820	CP WIRE	Sn	CUT PIN #4 ④ = 4.5±0.2	



TOLERANCE: 0<L<=4: ±0.1 4<L<=16: ±0.2 16<L<=63: ±0.3

UNIT : m / m

SCALE 3 : 2

Finish: 1. PB wire Immersion Sn on terminal : Thickness:Sn plating,100,5 μm (200 μ inches) min,Base nickel 0.625 μm (25 μ inches) min.  
 2. CP wire Immersion Sn on terminal : Thickness:Sn plating,100,5 μm (200 μ inches) min.  
 3. Coplanarity deviation: 0.10 mm (0.004 inches) max.

REV 2