

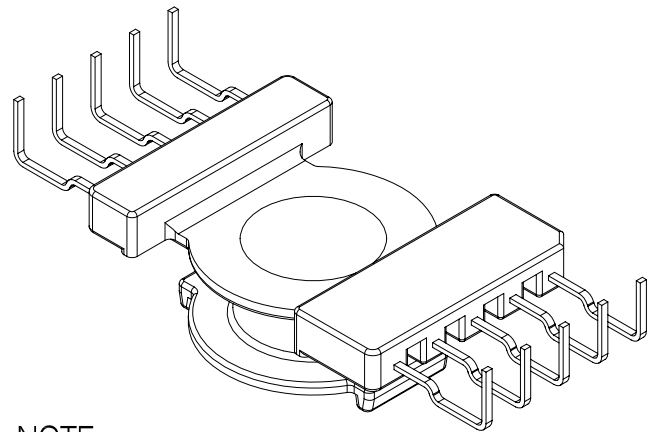
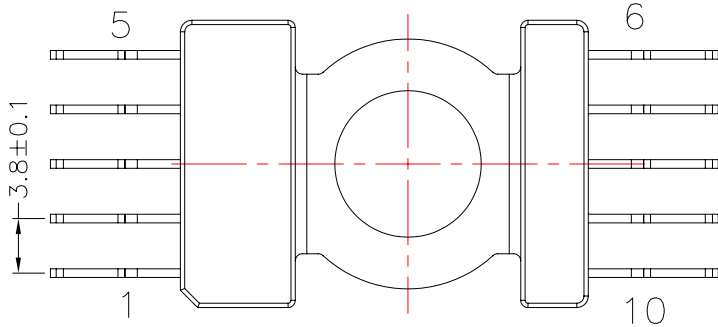
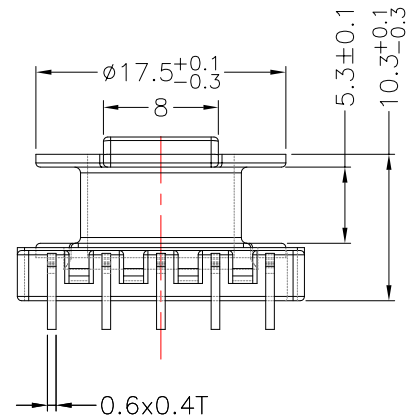
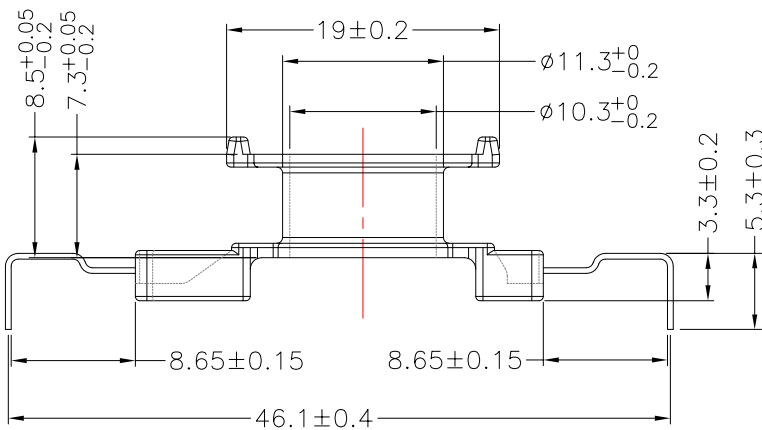
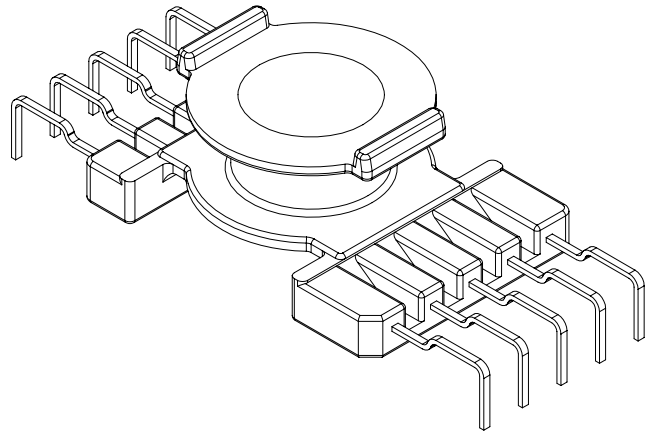
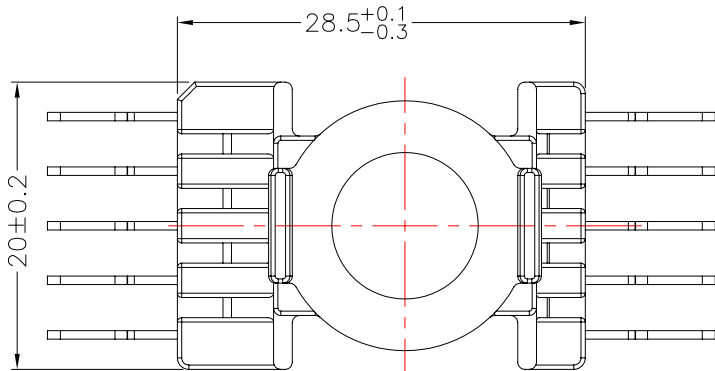


**TRANSFORMER BOBBIN
INDUSTRIAL CO.,LTD.**

Tel : 86-769-88789999 Fax : 86-769-88789989
http:// tbi-tw.com e-mail : tb6688@ms46.hinet.net

REVISIONS

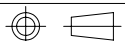
REV	SYM	DRAFTER	CHECKER	DATE
△1		YAN.TANG	G.F.YANG	04/23/10
△2				
△3				



NOTE:

WINDING SPACE: $5.3 \times 3.1 \text{mm} = 16.43 \text{mm}^2$

DWG NO.	CC2311-10P-THT-0C-12				
PART NO.	MATERIAL (BOBBIN)	MATERIAL (TERMINAL)	TERMINAL (PLATING)	PIN ALLOCATION	NOTE
TBI-239-05031.1206	PM-9820	CP WIRE	Sn	ALL PIN	
TBI-239-05031.1216	PM-9820	CP WIRE	Sn	NO PIN#3	H



TOLERANCE: $0 < L \leq 4 : \pm 0.1$ $4 < L \leq 16 : \pm 0.2$ $16 < L \leq 63 : \pm 0.3$

UNIT : m / m

SCALE 1 : 1

Finish: 1. PB wire Immersion Sn on terminal : Thickness:Sn plating, $100.5 \mu\text{m}$ ($200 \mu\text{inches}$) min, Base nickel $0.625 \mu\text{m}$ ($25 \mu\text{inches}$) min.
2. CP wire Immersion Sn on terminal : Thickness:Sn plating, $100.5 \mu\text{m}$ ($200 \mu\text{inches}$) min.
3. Coplanarity deviation: 0.10 mm (0.004 inches) max.

REV 1