

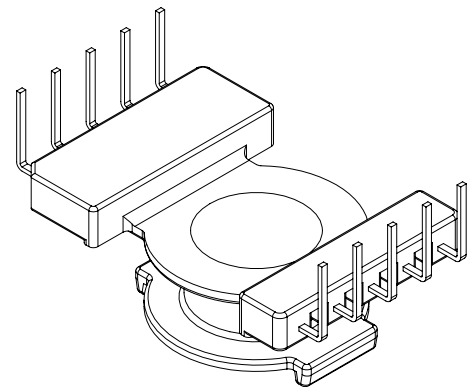
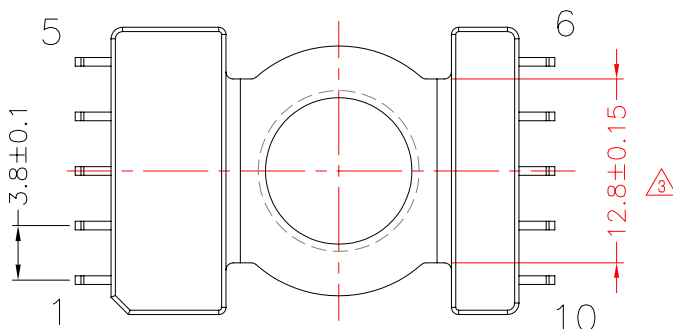
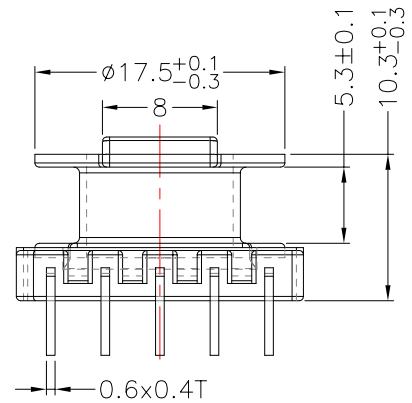
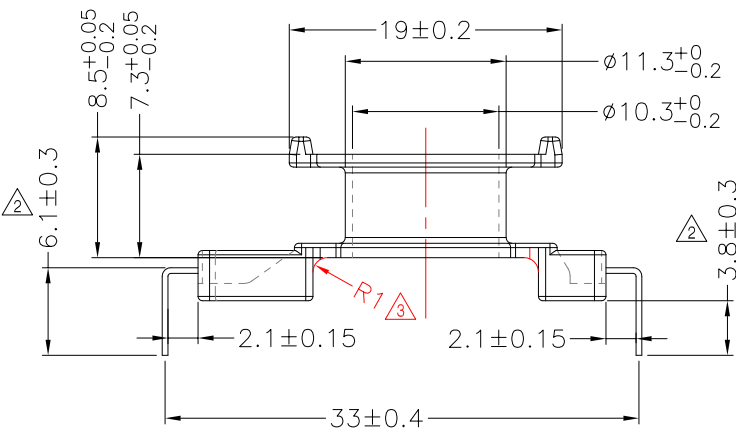
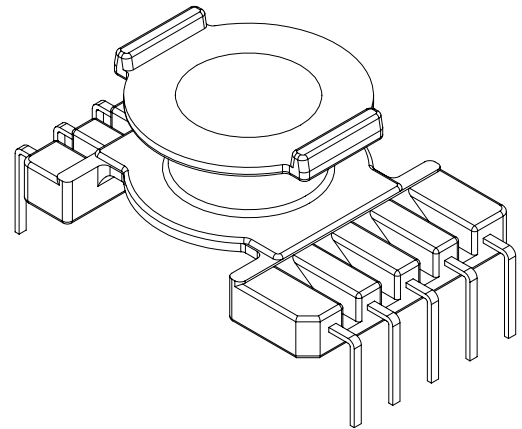
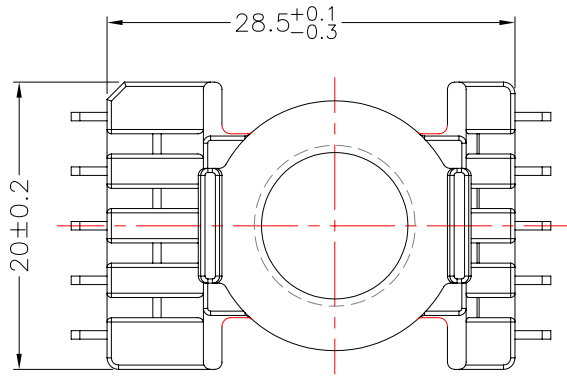


TRANSFORMER BOBBIN INDUSTRIAL CO.,LTD.

Tel : 86-769-88789999 Fax : 86-769-88789989
http:// tbi-tw.com e-mail : tb6688@ms46.hinet.net

REVISIONS

REV	SYM	DRAFTER	CHECKER	DATE
△1		YAN.TANG	G.F.YANG	03/04/10
△2		YAN.TANG	G.F.YANG	09/06/10
△3		X.H.GU	G.F.YANG	07/29/11

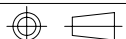


NOTE:

- 1.WINDING SPACE: 5.3*3.1mm=16.43mm²
- 2.焊錫前拉力:1.0KG MIN,焊錫後拉力:1.5KG MIN;

DWG NO. CC2311-10P-THT-0B-12

PART NO.	MATERIAL (BOBBIN)	MATERIAL (TERMINAL)	TERMINAL (PLATING)	PIN ALLOCATION	NOTE
TBI-239-05021.1206	PM-9820	CP WIRE	Sn	ALL PIN	
TBI-239-05021.1216	PM-9820	CP WIRE	Sn	CUT PIN #3	H



TOLERANCE:0<L<=4:±0.1 4<L<=16:±0.2 16<L<=63:±0.3

UNIT : m / m

SCALE 1 : 1

Finish: 1. PB wire Immersion Sn on terminal : Thickness:Sn plating,100,5 μm (200 μ inches) min,Base nickel 0.625 μm (25 μ inches) min.
2. CP wire Immersion Sn on terminal : Thickness:Sn plating,100,5 μm (200 μ inches) min.
3. Coplanarity deviation: 0.10 mm (0.004 inches) max.

REV 3