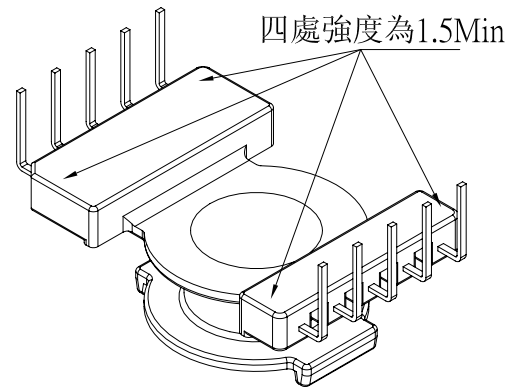
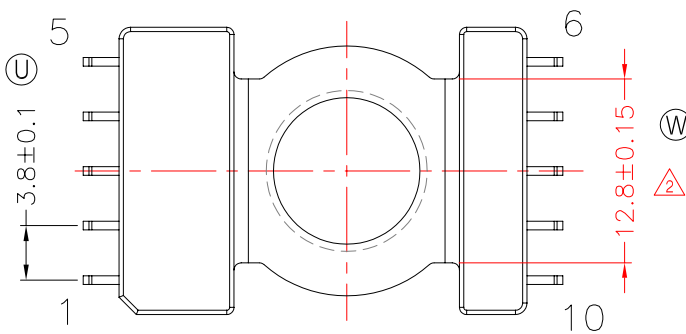
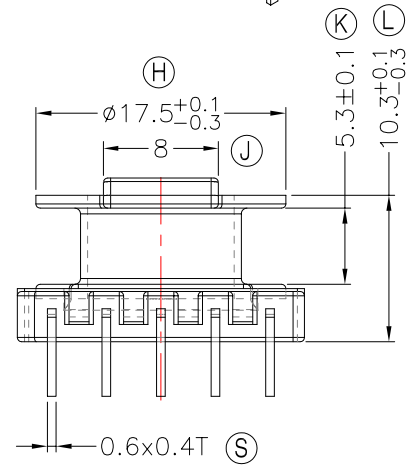
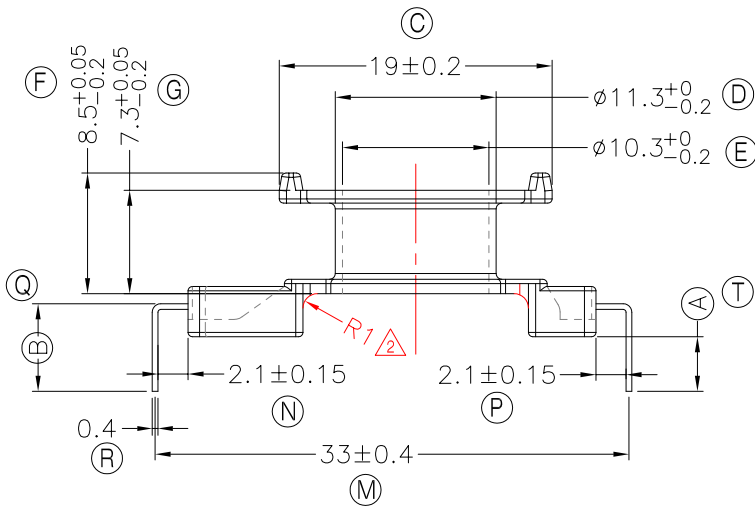
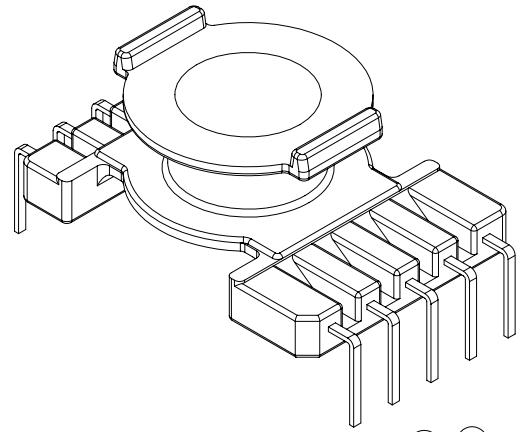
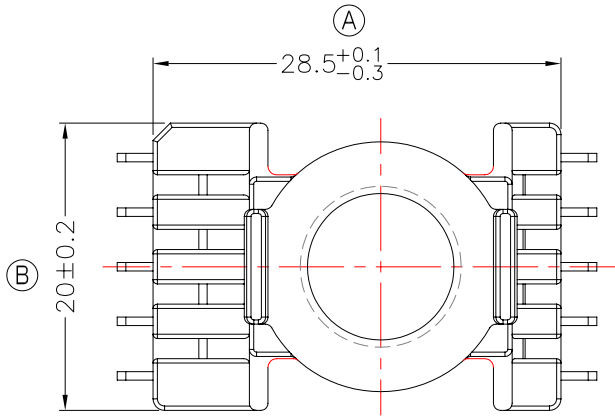




**TRANSFORMER BOBBIN INDUSTRIAL CO.,LTD.**

Tel : 86-769-88789999 Fax : 86-769-88789989  
 http:// tbi-tw.com e-mail : tb6688@ms46.hinet.net

REVISIONS				
REV	SYM	DRAFTER	CHECKER	DATE
1		YAN.TANG	G.F.YANG	09/16/10
2		X.H.GU	G.F.YANG	07/29/11
3				



**NOTE:**

- 1.WINDING SPACE: 5.3\*3.1mm=16.43mm<sup>2</sup>
- 2.焊錫前拉力:1.0KG MIN,焊錫後拉力:1.5KG MIN;
- 3.除特別指出處,任一點強度為2.0kg Min

DWG NO. CC2311-10P-THT-0B-11

PART NO.	MATERIAL (BOBBIN)	MATERIAL (TERMINAL)	TERMINAL (PLATING)	PIN ALLOCATION	NOTE
TBI-239-05021.1106	PM-9630	CP WIRE	Sn	ALL PIN (A)=3.8±0.3 (B)=6.1±0.3	
TBI-239-05021.1116	PM-9630	CP WIRE	Sn	CUT PIN#3 (A)=3.8±0.3 (B)=6.1±0.3	AT0696@AT0688
TBI-239-05021.1126	PM-9630	CP WIRE	Sn	CUT PIN#3 (A)=3.5±0.2 (B)=5.8±0.3	VT-1G2402390
TBI-239-05021.1136	PM-9630	CP WIRE	Sn	CUT PIN#7 (A)=3.8±0.3 (B)=6.1±0.3	AT0766
TBI-239-05021.1146	PM-9630	CP WIRE	Sn	CUT PIN#8 (A)=3.8±0.3 (B)=6.1±0.3	AT0777
TBI-239-05021.1156	PM-9630	CP WIRE	Sn	CUT PIN#2 (A)=3.8±0.3 (B)=6.1±0.3	AT0757

TOLERANCE: 0<L<=4:±0.1 4<L<=16:±0.2 16<L<=63:±0.3 UNIT : m / m SCALE 1 : 1

Finish: 1. PB wire Immersion Sn on terminal : Thickness:Sn plating,100,5 μm (200 μ inches) min,Base nickel 0.625 μm (25 μ inches) min.  
 2. CP wire Immersion Sn on terminal : Thickness:Sn plating,100,5 μm (200 μ inches) min.  
 3. Coplanarity deviation: 0.10 mm (0.004 inches) max.

REV 2