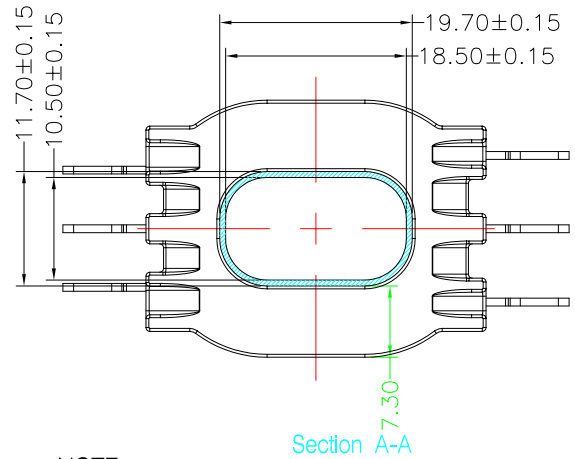
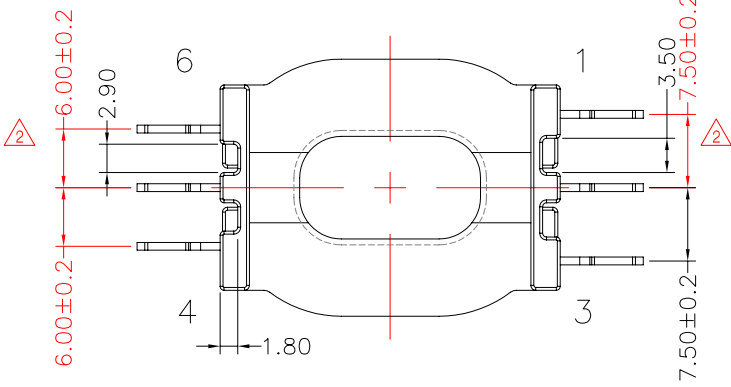
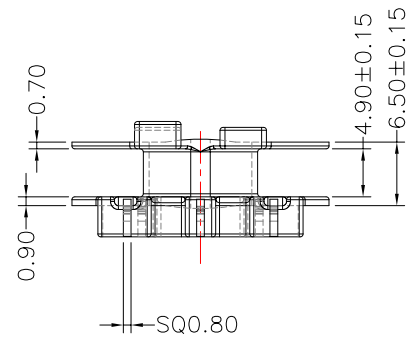
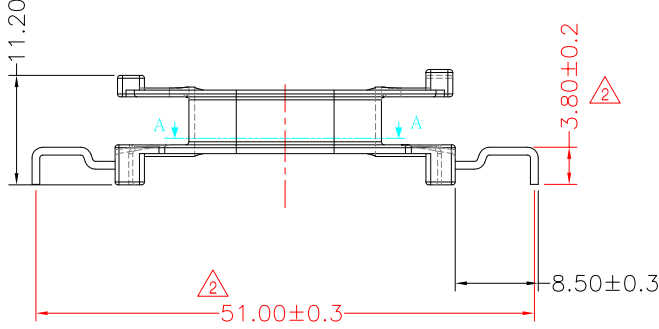
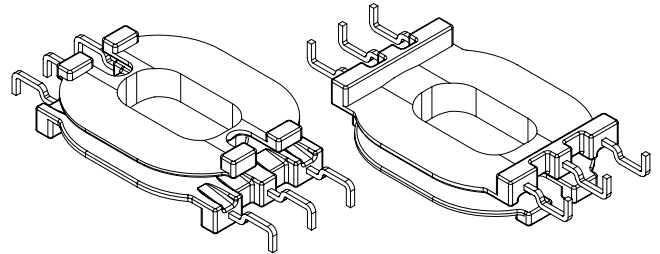
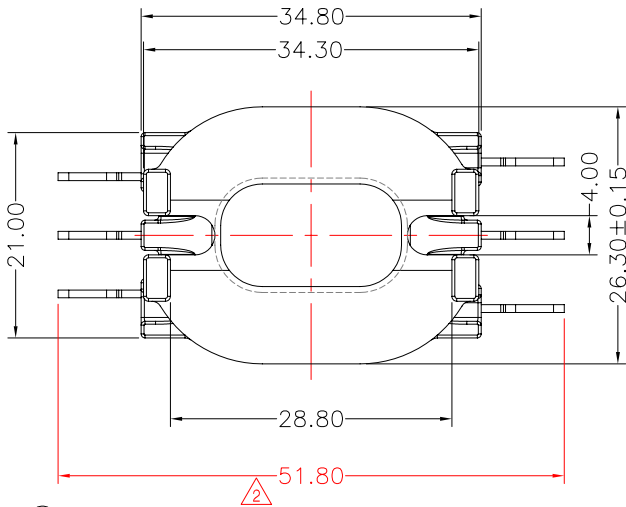




TRANSFORMER BOBBIN INDUSTRIAL CO.,LTD.

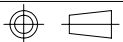
Tel : 86-769-88789999 Fax : 86-769-88789989
 http:// tbi-tw.com e-mail : tb6688@ms46.hinet.net

REVISIONS				
REV	SYM	DRAFTER	CHECKER	DATE
①		G.F.YANG	W.H.HSU	06/13/09
②		YAN.TANG	W.H.HSU	12/19/09
③				



NOTE:
 1. WINDING SPACE:4.9mm*7.3mm=35.77mm²

DWG NO.	ATQ32-13-6P-THT-0B-11				
PART NO.	MATERIAL (BOBBIN)	MATERIAL (TERMINAL)	TERMINAL (PLATING)	PIN ALLOCATION	NOTE
TBI-238-16021.1106	PM-9630	CP WIRE	Sn	ALL PIN	



TOLERANCE: 0<L<=4:±0.1 4<L<=16:±0.2 16<L<=63:±0.3

UNIT : m / m

SCALE 1 : 1

Finish: 1. PB wire Immersion Sn on terminal : Thickness:Sn plating,100,5 μm (200 μ inches) min,Base nickel 0.625 μm (25 μ inches) min.
 2. CP wire Immersion Sn on terminal : Thickness:Sn plating,100,5 μm (200 μ inches) min.
 3. Coplanarity deviation: 0.10 mm (0.004 inches) max.

REV 2