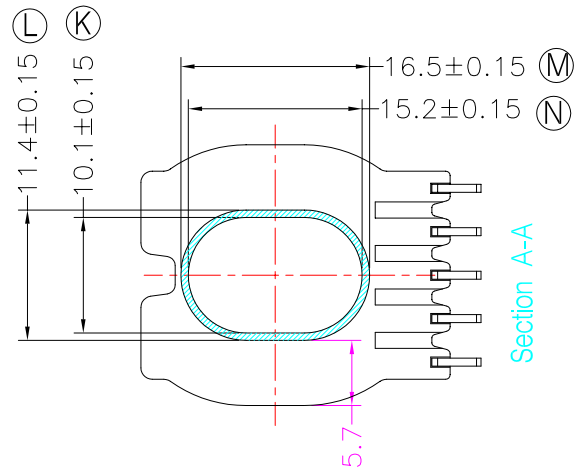
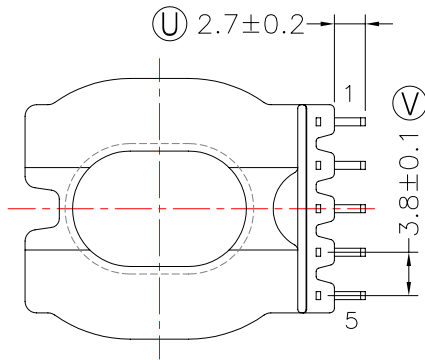
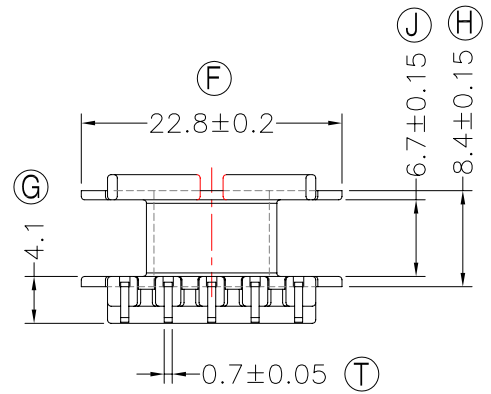
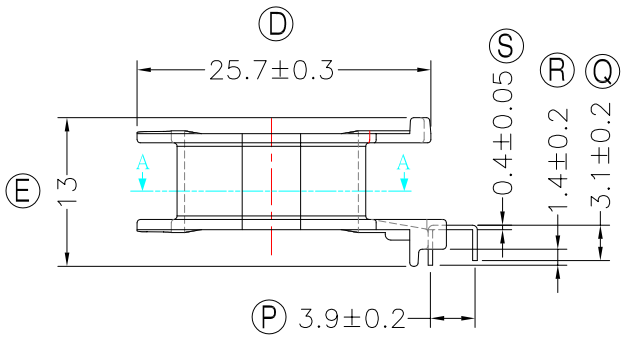
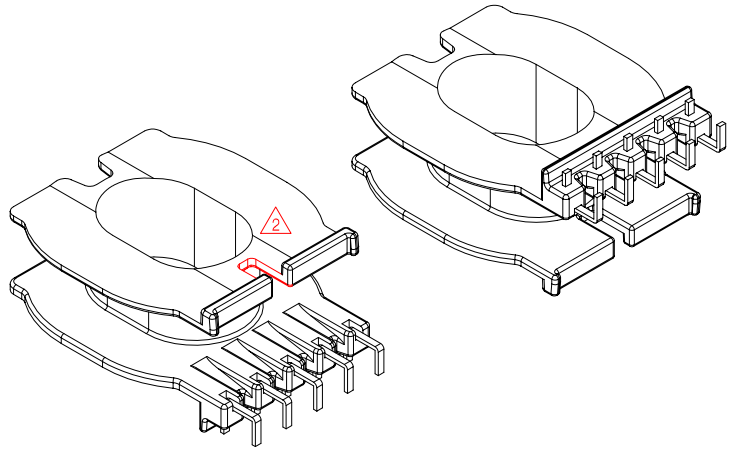
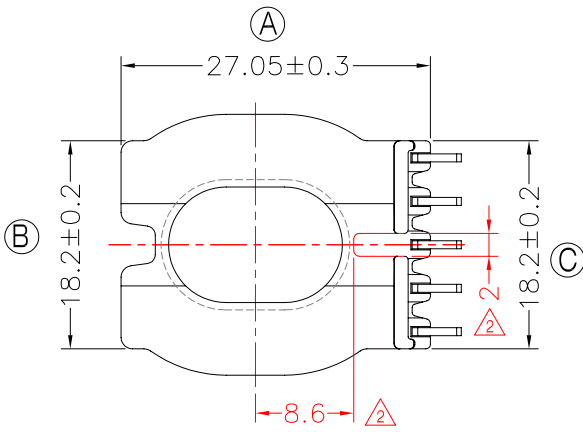




**TRANSFORMER BOBBIN INDUSTRIAL CO.,LTD.**

Tel : 86-769-88789999 Fax : 86-769-88789989  
 http:// tbi-tw.com e-mail : tb6688@ms46.hinet.net

| REVISIONS |     |         |          |          |
|-----------|-----|---------|----------|----------|
| REV       | SYM | DRAFTER | CHECKER  | DATE     |
| ①         |     | X.H.GU  | G.F.YANG | 11/14/12 |
| ②         |     | X.H.GU  | G.F.YANG | 03/22/13 |
| ③         |     |         |          |          |



NOTE:  
 WINDING SPACE: 6.7mm\*5.7mm=38.19mm<sup>2</sup>

|                    |                         |                     |                    |                |      |
|--------------------|-------------------------|---------------------|--------------------|----------------|------|
| DWG NO.            | ATQ28-14.2D-5P-TU-B3-11 |                     |                    |                |      |
| PART NO.           | MATERIAL (BOBBIN)       | MATERIAL (TERMINAL) | TERMINAL (PLATING) | PIN ALLOCATION | NOTE |
| TBI-238-07231.1106 | PM-9630                 | CP WIRE             | Sn                 | ALL PIN        | S    |
|                    |                         |                     |                    |                |      |
|                    |                         |                     |                    |                |      |
|                    |                         |                     |                    |                |      |
|                    |                         |                     |                    |                |      |
|                    |                         |                     |                    |                |      |
|                    |                         |                     |                    |                |      |
|                    |                         |                     |                    |                |      |
|                    |                         |                     |                    |                |      |

|         |  |              |             |
|---------|--|--------------|-------------|
|         | TOLERANCE: 0<L<=4:±0.1 4<L<=16:±0.2 16<L<=63:±0.3  | UNIT : m / m | SCALE 1 : 1 |
| Finish: | 1. PB wire Immersion Sn on terminal : Thickness:Sn plating,100,5 μm (200 μ inches) min,Base nickel 0.625 μm (25 μ inches) min.<br>2. CP wire Immersion Sn on terminal : Thickness:Sn plating,100,5 μm (200 μ inches) min.<br>3. Coplanarity deviation: 0.10 mm (0.004 inches) max. |              | REV 2       |