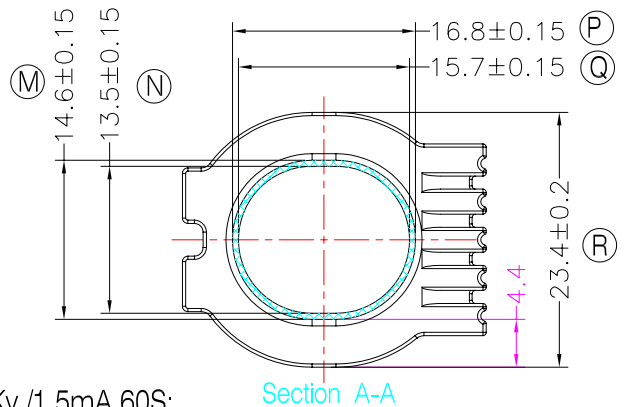
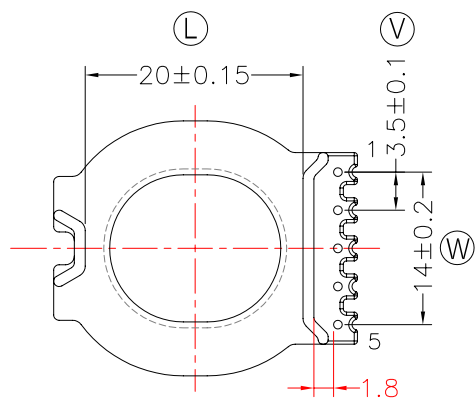
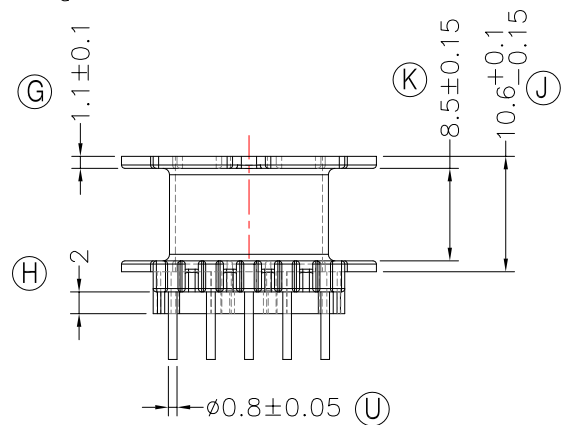
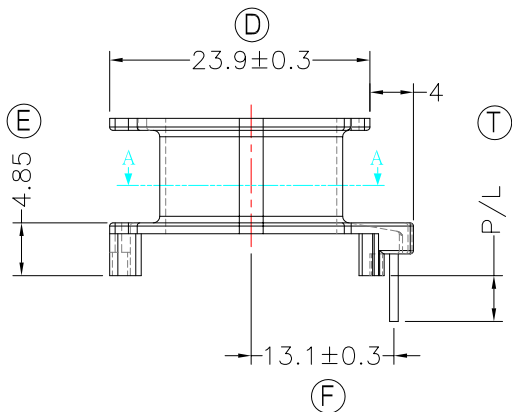
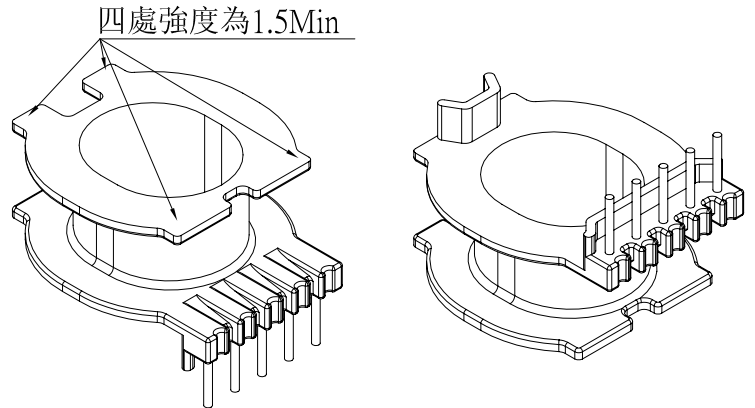
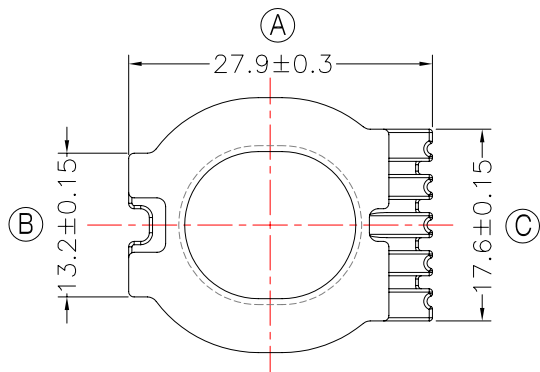




TRANSFORMER BOBBIN
INDUSTRIAL CO.,LTD.

Tel : 86-769-88789999 Fax : 86-769-88789989
http:// tbi-tw.com e-mail : tb6688@ms46.hinet.net

| REVISIONS | | | | |
|-----------|-----|---------|----------|----------|
| REV | SYM | DRAFTER | CHECKER | DATE |
| 1 | | X.H.GU | G.F.YANG | 05/25/16 |
| 2 | | | | |
| 3 | | | | |



NOTE:

- 1.耐壓4.0Kv /1.5mA 60S;
- 2.焊錫溫度:450°±10° 3SEC;
- 3.除特別指出處,任一點強度為1.8kg Min;
- 4.焊前拉力1.0kg Min 焊後拉力1.5kg Min;
- 5.WINDING SPACE: 8.5mm*4.4mm=37.4mm²

DWG NO. ATQ28-18.3B-5P-TH-B2-17

| PART NO. | MATERIAL (BOBBIN) | MATERIAL (TERMINAL) | TERMINAL (PLATING) | PIN ALLOCATION | NOTE |
|--------------------|-------------------|---------------------|--------------------|------------------------|------|
| TBI-238-07221.1706 | PM-9823 | CP WIRE | Sn | ALL PIN P/L=4.2±0.2 | S |
| TBI-238-07221.1716 | PM-9823 | CP WIRE | Sn | CUT PIN #3 P/L=4.2±0.2 | |
| TBI-238-07221.1726 | PM-9823 | CP WIRE | Sn | CUT PIN #3 P/L=4.0±0.2 | |

TOLERANCE: 0<L<=4:±0.1 4<L<=16:±0.2 16<L<=63:±0.3 UNIT : m / m SCALE 1 : 1

Finish: 1. PB wire Immersion Sn on terminal : Thickness:Sn plating,100%,5 μm (200 μ inches) min,Base nickel 0.625 μm (25 μ inches) min.
2. CP wire Immersion Sn on terminal : Thickness:Sn plating,100%,5 μm (200 μ inches) min.
3. Coplanarity deviation: 0.10 mm (0.004 inches) max.

REV 1