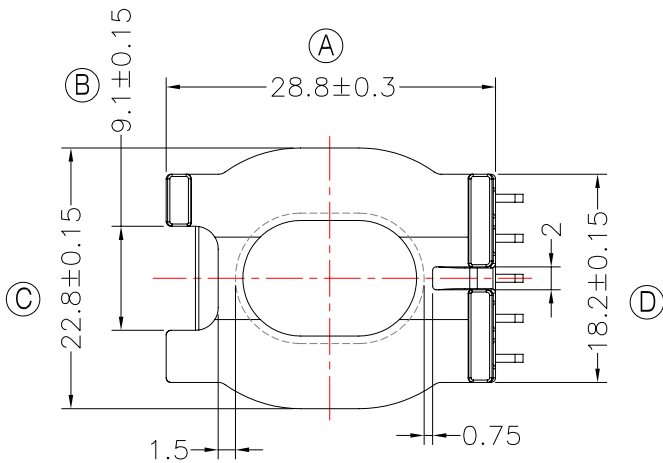




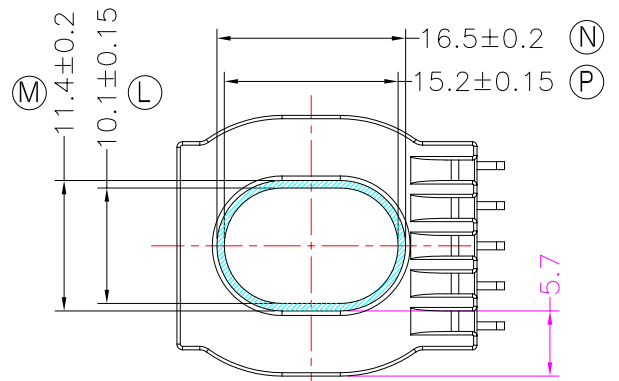
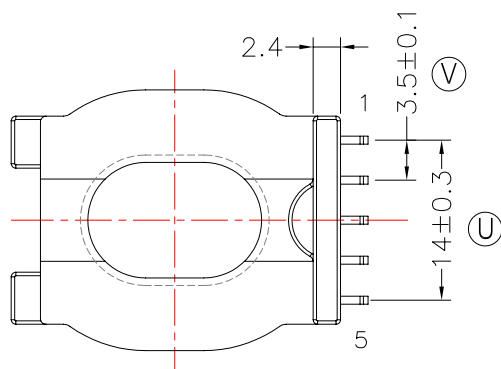
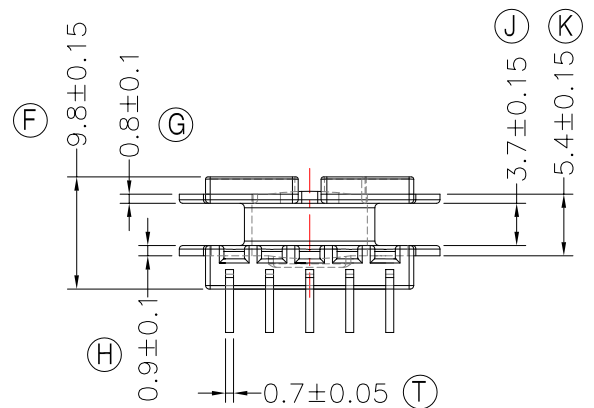
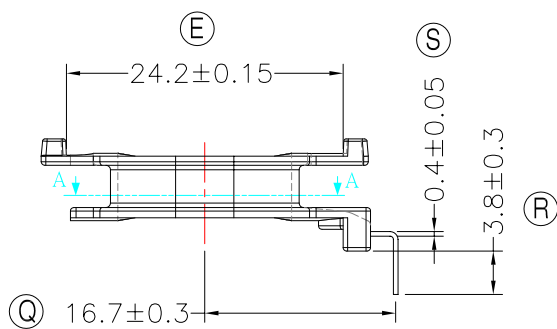
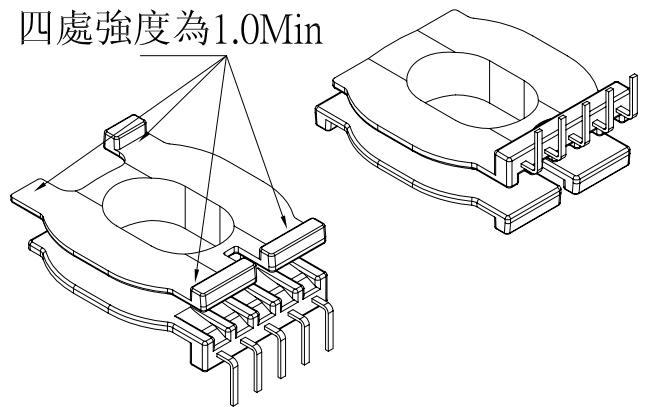
TRANSFORMER BOBBIN  
INDUSTRIAL CO.,LTD.

Tel : 86-769-88789999 Fax : 86-769-88789989  
http:// tbi-tw.com e-mail : tb6688@ms46.hinet.net

REVISIONS				
REV	SYM	DRAFTER	CHECKER	DATE
1		X.H.GU	G.F.YANG	05/17/12
2				
3				



四處強度為1.0Min



NOTE:

- 1.WINDING SPACE: 3.7mm\*5.7mm=21.09mm<sup>2</sup>;
- 2.焊前拉力1.0kg Min. 焊後拉力1.5kg Min;
- 3.除特別指出處,任一點強度為1.5kg Min;

Section A-A

DWG NO.	ATQ28-11.2D-5P-TL-1J-11				
PART NO.	MATERIAL (BOBBIN)	MATERIAL (TERMINAL)	TERMINAL (PLATING)	PIN ALLOCATION	NOTE
TBI-238-07191.1106	PM-9630	CP WIRE	Sn	ALL PIN	S H
TOLERANCE: 0<L<=4:±0.1 4<L<=16:±0.2 16<L<=63:±0.3			UNIT : m / m	SCALE 1 : 1	
Finish:	1. PB wire Immersion Sn on terminal : Thickness:Sn plating,100,5 μm (200 μ inches) min,Base nickel 0.625 μm (25 μ inches) min. 2. CP wire Immersion Sn on terminal : Thickness:Sn plating,100,5 μm (200 μ inches) min. 3. Coplanarity deviation: 0.10 mm (0.004 inches) max.				REV 1