

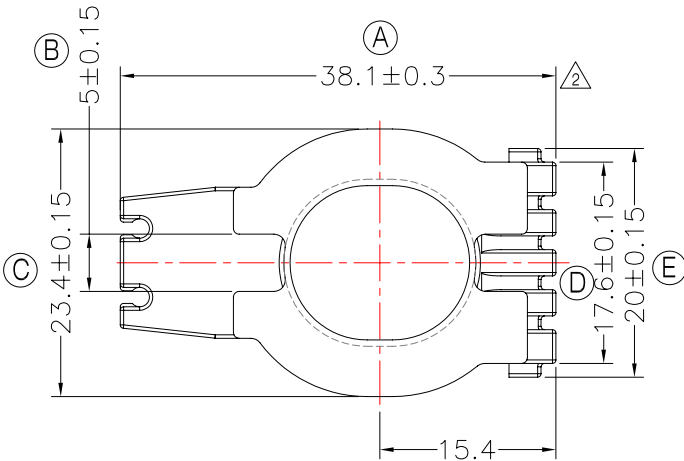


TRANSFORMER BOBBIN  
INDUSTRIAL CO.,LTD.

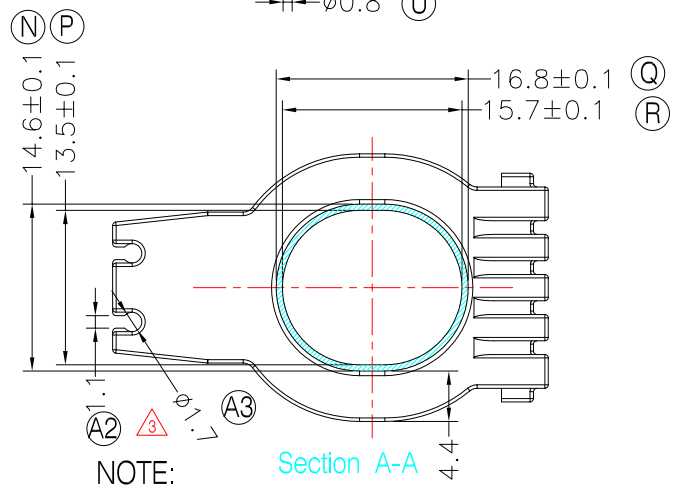
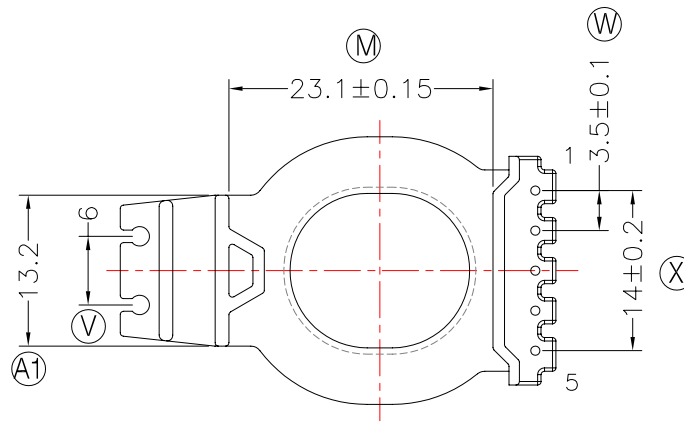
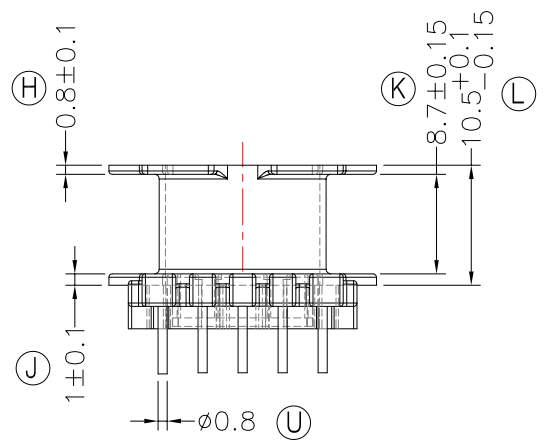
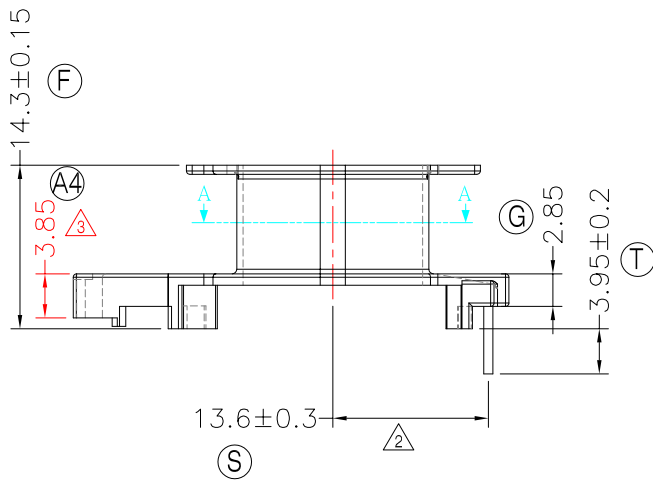
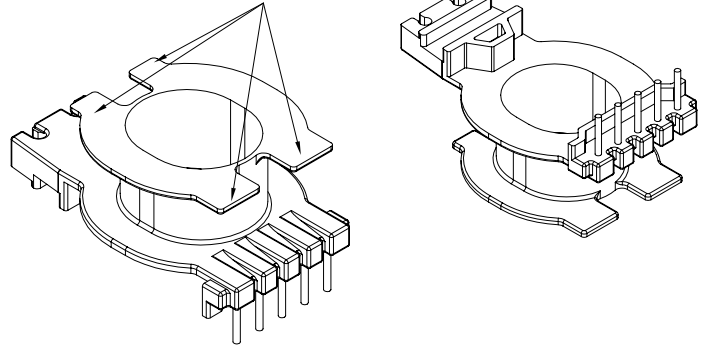
Tel : 86-769-88789999 Fax : 86-769-88789999  
http:// tbi-tw.com e-mail : tb6688@ms46.hinet.net

REVISIONS

REV	SYM	DRAFTER	CHECKER	DATE
△1		X.H.GU	G.F.YANG	10/19/10
△2		G.F.YANG	W.H.HSU	12/30/10
△3		G.F.YANG	W.H.HSU	02/17/11



四處強度為1.2Min



NOTE:

Section A-A

WINDING SPACE: 8.8mm\*4.4mm=38.72mm<sup>2</sup>  
 焊前拉力1.0kg Min 焊後拉力1.5kg Min  
 除特別指出處,任一點強度為1.5kg Min

DWG NO. ATQ28-18.3B-5P-TH-A4-12

PART NO.	MATERIAL (BOBBIN)	MATERIAL (TERMINAL)	TERMINAL (PLATING)	PIN ALLOCATION	NOTE
TBI-238-07141.1206	PM-9820	CP WIRE	Sn	ALL PIN	S

TOLERANCE: 0<L<=4:±0.1 4<L<=16:±0.2 16<L<=63:±0.3

UNIT : m / m

SCALE 1 : 1

Finish: 1. PB wire Immersion Sn on terminal : Thickness:Sn plating,100,5 μm (200 μ inches) min,Base nickel 0.625 μm (25 μ inches) min.  
 2. CP wire Immersion Sn on terminal : Thickness:Sn plating,100,5 μm (200 μ inches) min.  
 3. Coplanarity deviation: 0.10 mm (0.004 inches) max.

REV 3