

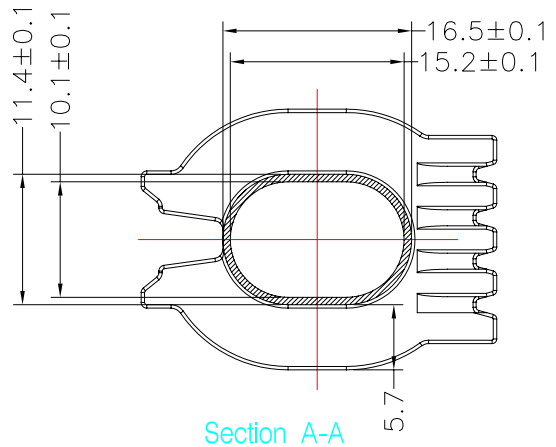
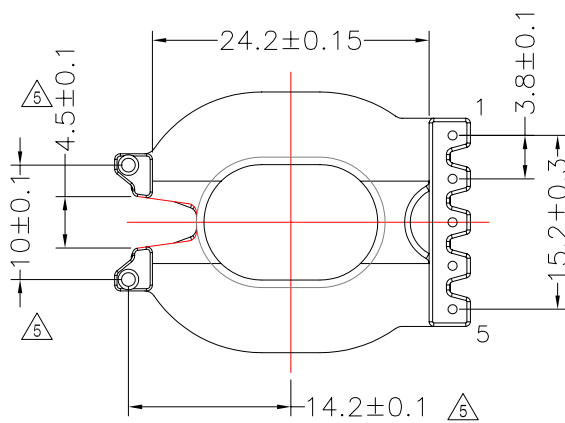
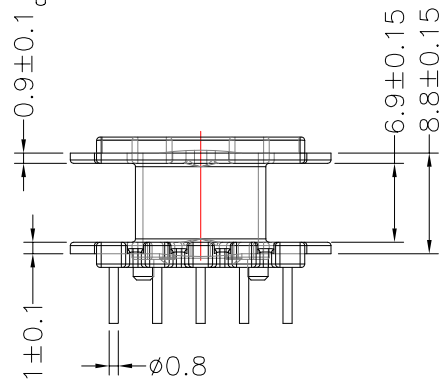
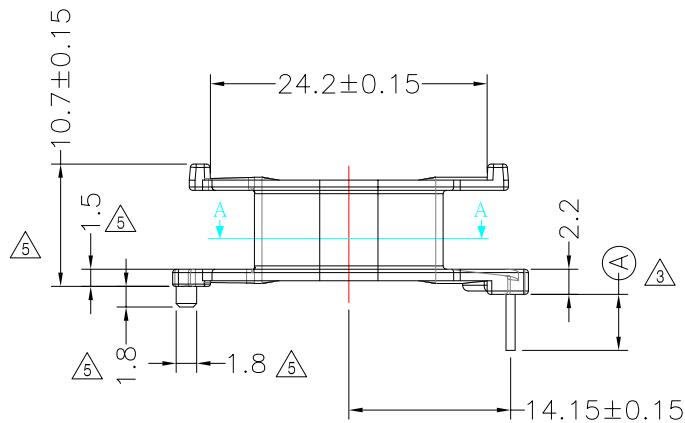
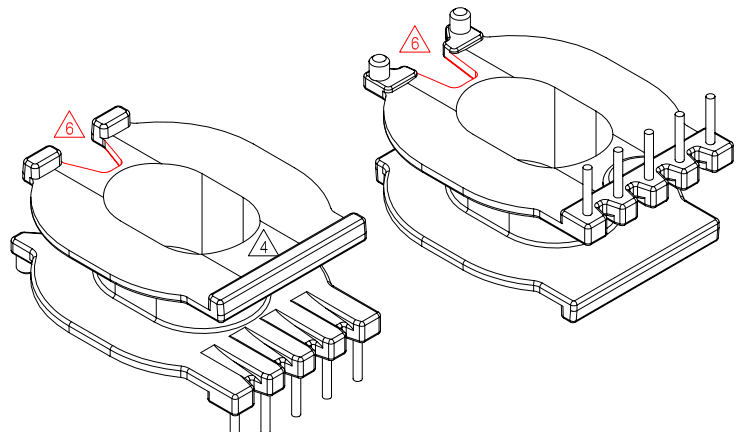
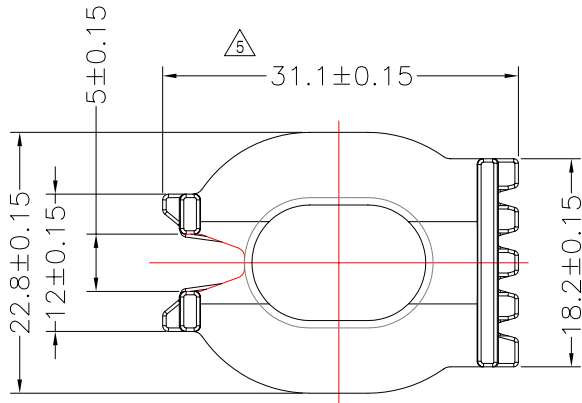


**TRANSFORMER BOBBIN  
INDUSTRIAL CO.,LTD.**

Tel : 86-769-88789999 Fax : 86-769-88789989  
http:// tbi-tw.com e-mail : tb6688@ms46.hinet.net

REVISIONS

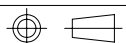
REV	SYM	DRAFTER	CHECKER	DATE
△4		G.F.YANG	W.H.HSU	03/02/10
△5		G.F.YANG	W.H.HSU	04/14/10
△6		YAN.TANG	G.F.YANG	07/06/10



NOTE:  
WINDING SPACE: 6.9mm\*5.7mm=39.33mm<sup>2</sup>

DWG NO. ATQ28-14.5D-5P-TH-F-12

PART NO.	MATERIAL (BOBBIN)	MATERIAL (TERMINAL)	TERMINAL (PLATING)	PIN ALLOCATION	NOTE
TBI-238-07061.1206	PM-9820	CP WIRE	Sn	ALL PIN (A) = 4.9±0.2	S
TBI-238-07061.1216	PM-9820	CP WIRE	Sn	CUT PIN #3 (A) = 6.0±0.2	H
TBI-238-07061.1226	PM-9820	CP WIRE	Sn	ALL PIN (A) = 5.5±0.2	
TBI-238-07061.1236	PM-9820	CP WIRE	Sn	CUT PIN #3 (A) = 5.5±0.2	



TOLERANCE: 0<L<=4:±0.1 4<L<=16:±0.2 16<L<=63:±0.3

UNIT : m / m

SCALE 1 : 1

Finish: 1. PB wire Immersion Sn on terminal : Thickness:Sn plating,100,5 μm (200 μ inches) min,Base nickel 0.625 μm (25 μ inches) min.  
2. CP wire Immersion Sn on terminal : Thickness:Sn plating,100,5 μm (200 μ inches) min.  
3. Coplanarity deviation: 0.10 mm (0.004 inches) max.

REV 6