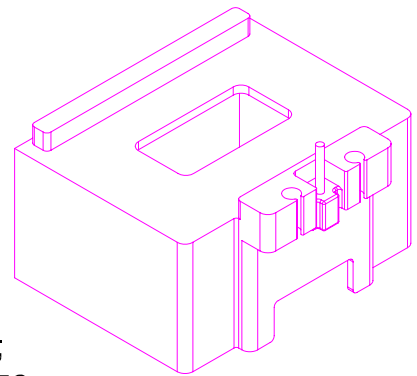
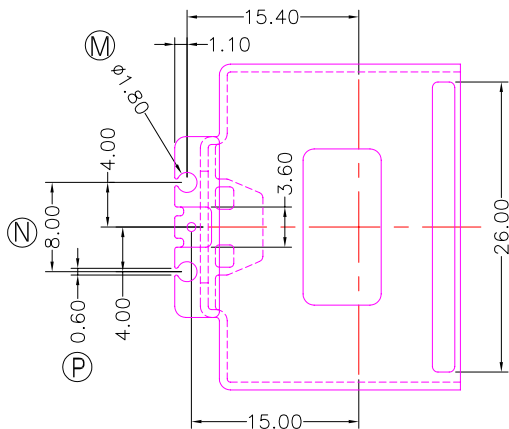
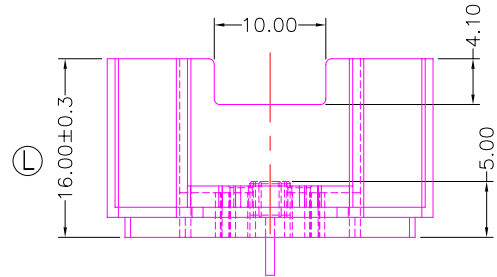
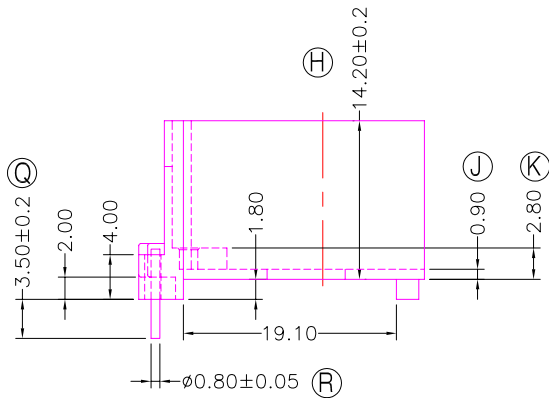
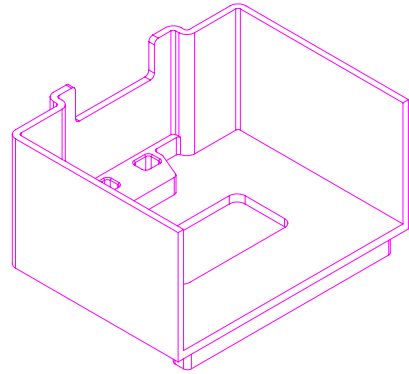
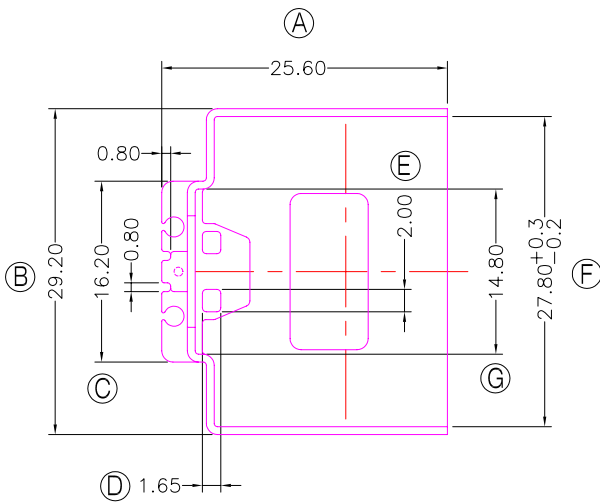




**TRANSFORMER BOBBIN
INDUSTRIAL CO.,LTD.**

Tel : 86-769-88789999 Fax : 86-769-88789989
http:// tbi-tw.com e-mail : tb6688@ms46.hinet.net

| REVISIONS | | | | |
|-----------|-----|----------|----------|----------|
| REV | SYM | DRAFTER | CHECKER | DATE |
| △1 | | X.X.YUAN | G.F.YANG | 01/05/16 |
| △2 | | | | |
| △3 | | | | |



- NOTE:**
- 耐壓4.0Kv /1.5mA 60S;
 - 焊錫溫度:450°±10° 3SEC
 - 任一點的強度為1.5kg MIN;
 - 焊錫前拉力:1.0KG MIN,焊錫後拉力:1.5KG MIN;
- 與TBI-238-03951.17XX(ATQ27-14.4-5P-TH-J5-17)配套使用;

DWG NO. ATQ27-14.4-1P-CASE-J6-17

| PART NO. | MATERIAL (BOBBIN) | MATERIAL (TERMINAL) | TERMINAL (PLATING) | PIN ALLOCATION | NOTE |
|--------------------|-------------------|---------------------|--------------------|----------------|------|
| TBI-238-03961.1706 | PM-9823 | CP WIRE | Sn | ALL PIN | S |
| TBI-238-03961.1716 | PM-9823 | CP WIRE | Sn | NO PIN | |

| | | | |
|--|---|--------------|-------------|
| | TOLERANCE:0<L≤4:±0.1 4<L≤16:±0.2 16<L≤63:±0.3 | UNIT : m / m | SCALE 1 : 1 |
|--|---|--------------|-------------|

Finish: 1. PB wire Immersion Sn on terminal : Thickness:Sn plating,100%,5 μm (200 μ inches) min,Base nickel 0.625 μm (25 μ inches) min.
2. CP wire Immersion Sn on terminal : Thickness:Sn plating,100%,5 μm (200 μ inches) min.
3. Coplanarity deviation: 0.10 mm (0.004 inches) max.

| | |
|-----|---|
| REV | 1 |
|-----|---|