

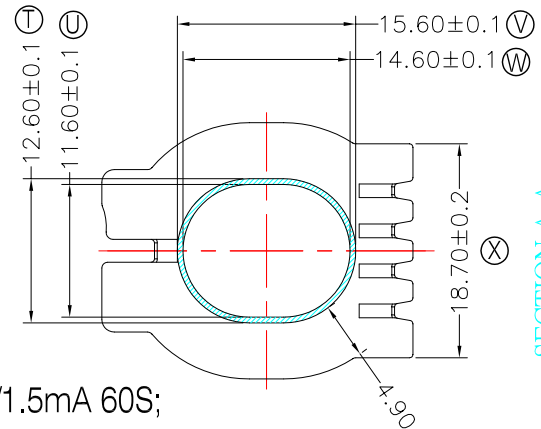
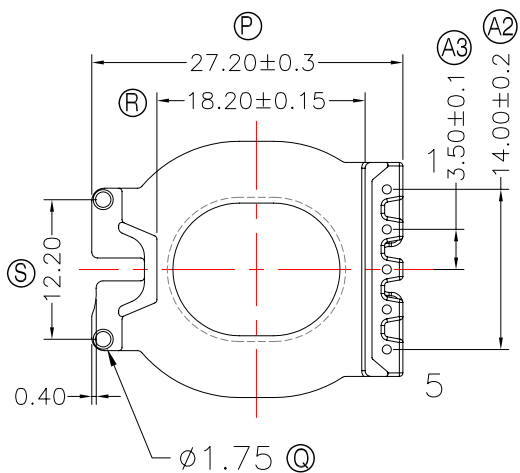
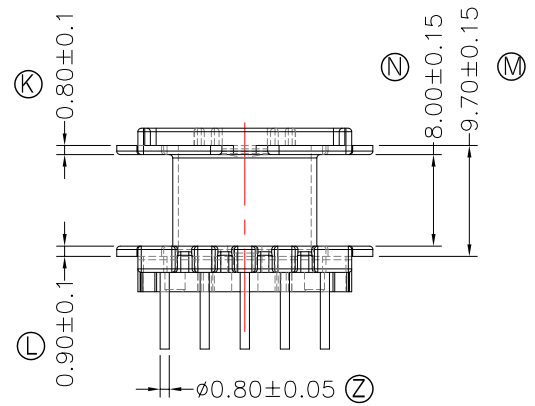
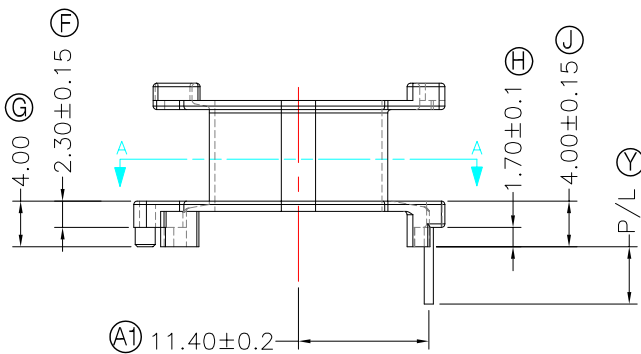
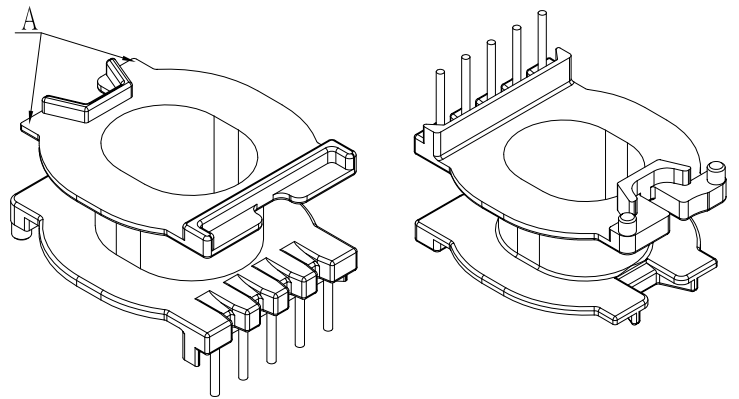
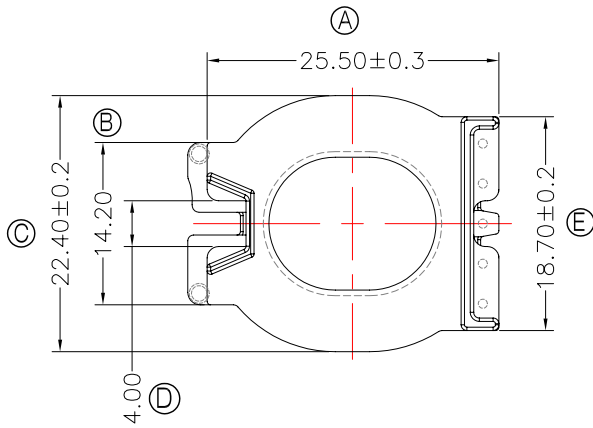


TRANSFORMER BOBBIN  
INDUSTRIAL CO.,LTD.

Tel : 86-769-88789999 Fax : 86-769-88789989  
http:// tbi-tw.com e-mail : tb6688@ms46.hinet.net

REVISIONS

REV	SYM	DRAFTER	CHECKER	DATE
1		X.H.GU	G.F.YANG	05/25/16
2				
3				



NOTE:

- 1.耐壓4.0Kv /1.5mA 60S;
  - 2.焊錫溫度:450°±10° 3SEC
  - 3.焊錫前拉力:1.0KG MIN,焊錫後拉力:1.5KG MIN;
  - 4.任一點的強度為1.8kg MIN;其中頂部A處為1.3kg MIN;
- 與TBI-238-03701.17C(ATQ27-16-1-CASE-G0-17)配套使用;

DWG NO. ATQ27-16-1-5P-TH-G0-17

PART NO. MATERIAL (BOBBIN) MATERIAL (TERMINAL) TERMINAL (PLATING) PIN ALLOCATION NOTE

TBI-238-03701.1706 PM-9823 CP WIRE Sn ALL PIN P/L=5.0±0.2 S

TOLERANCE: 0<L<=4±0.1 4<L<=16±0.2 16<L<=63±0.3

UNIT : m / m

SCALE 1 : 1

Finish: 1. PB wire Immersion Sn on terminal : Thickness:Sn plating,100%,5 μm (200 μ inches) min,Base nickel 0.625 μm (25 μ inches) min.  
2. CP wire Immersion Sn on terminal : Thickness:Sn plating,100%,5 μm (200 μ inches) min.  
3. Coplanarity deviation: 0.10 mm (0.004 inches) max.

REV 1