

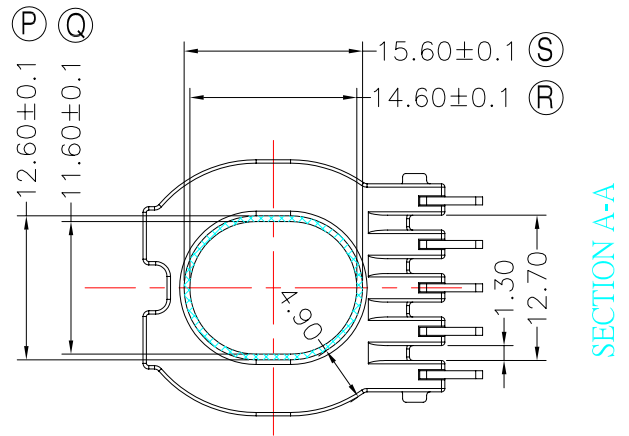
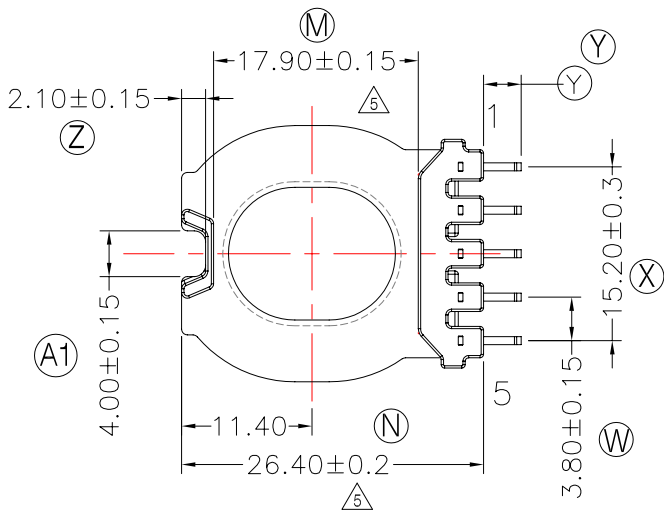
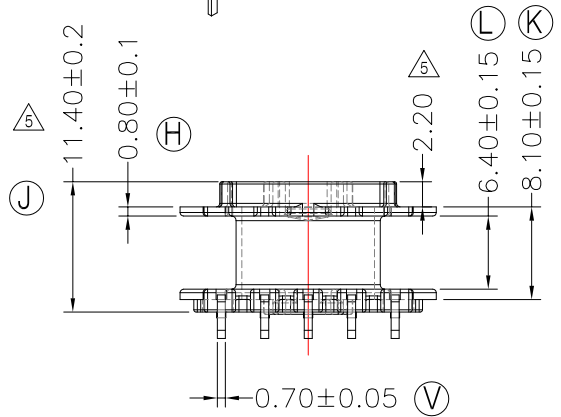
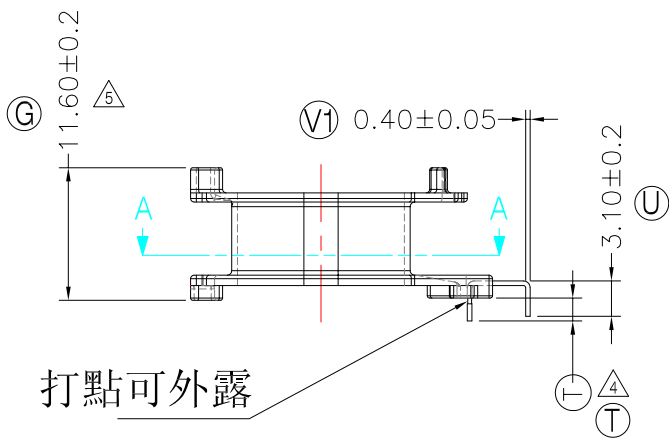
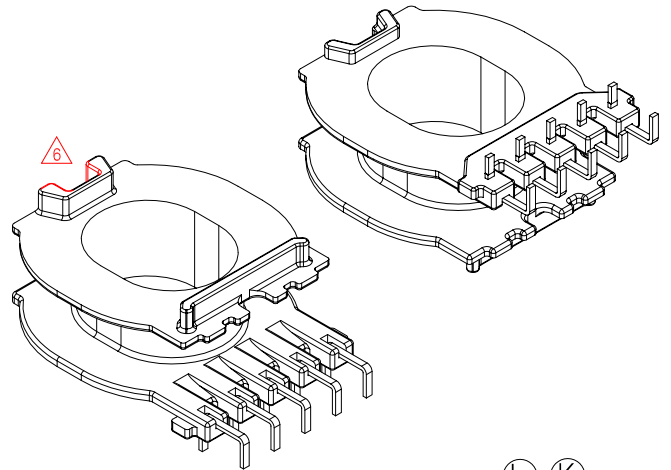
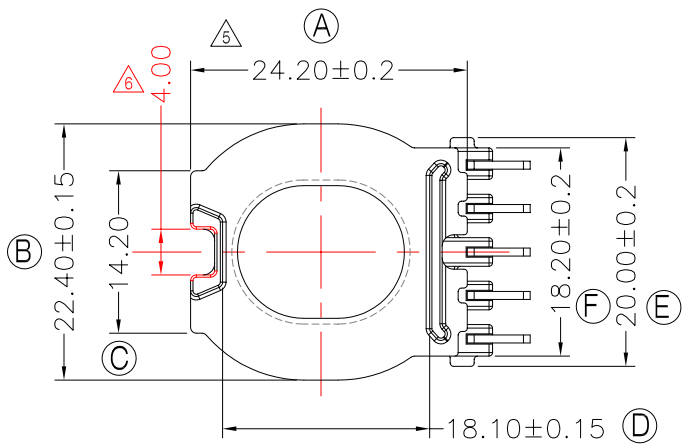


TRANSFORMER BOBBIN  
INDUSTRIAL CO.,LTD.

Tel : 86-769-88789999 Fax : 86-769-88789999  
http:// tbi-tw.com e-mail : tb6688@ms46.hinet.net

REVISIONS

REV	SYM	DRAFTER	CHECKER	DATE
4		X.X.YUAN	G.F.YANG	05/24/12
5		X.H.GU	G.F.YANG	09/08/12
6		H.X.DUAN	G.F.YANG	12/02/13



1. 推力0.8 MIN;
2. 在制成品變壓器時PIN腳需點膠固定;

DWG NO. ATQ27-14.4-5P-TU-F3-11

PART NO.	MATERIAL (BOBBIN)	MATERIAL (TERMINAL)	TERMINAL (PLATING)	PIN ALLOCATION	NOTE
TBI-238-03631.1106	PM-9630	CP WIRE	Sn	ALL PIN (T)=2.0±0.2 (Y)=3.3±0.3	S
TBI-238-03631.1116	PM-9630	CP WIRE	Sn	ALL PIN (T)=2.0±0.2 (Y)=2.7±0.2	H
TBI-238-03631.1126	PM-9630	CP WIRE	Sn	CUT PIN#4 (T)=2.0±0.2 (Y)=3.3±0.3	
TBI-238-03631.1136	PM-9630	CP WIRE	Sn	ALL PIN (T)=1.8+0.15/-0.2 (Y)=3.3±0.3	

TOLERANCE: 0<L<=4:±0.1 4<L<=16:±0.2 16<L<=63:±0.3

UNIT : m / m

SCALE 1 : 1

Finish: 1. PB wire Immersion Sn on terminal : Thickness:Sn plating,100,5 μm (200 μ inches) min,Base nickel 0.625 μm (25 μ inches) min.  
2. CP wire Immersion Sn on terminal : Thickness:Sn plating,100,5 μm (200 μ inches) min.  
3. Coplanarity deviation: 0.10 mm (0.004 inches) max.

REV 6